



Massimiliano Franco
Product Manager Pneumatic and Hydraulic Actuators

Emerson Automation Solutions
Actuation Technologies
19200 Northwest Freeway
Houston, Texas 77065 USA

+39 0523 944 454
massimiliano.franco@emerson.com

30th January 2025

Product Obsolescence Notice

Biffi Hydraulic actuators OLGA and OLGAS-M

The Biffi OLGA and OLGAS-M are quarter-turn hydraulic actuators. They were discontinued in 2007 and replaced with the OLGA-H and OLGAS-H hydraulic actuators.

The reason for dismissing the OLGA-M is to reduce the complexity of actuator selection with a solution that can cover different needs and provide better customer service.

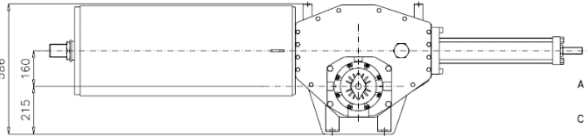
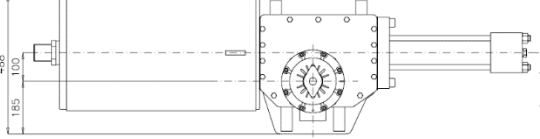
Hydraulic M series	Hydraulic H series
	

Table 1 – shape comparison

The main differences are:

M series has a reduced design pressure and a smaller Hydraulic cylinder size

The housing shape is according to a previous design

- **Obsolescence Schedule**

- o OLGA and OLGAS-M are no longer available from
- o Last committed availability of replacement components
Customer service and engineering support

Jan 01, 2007

Jan 01, 2017

Ongoing

New actuator replacement requests can be sent to [BIFFI Sales dep.](#)

Please provide all the necessary details of the OLGA-M and OLGAS-M according to the list of info requested in the PDF at the web link [How to order](#).

For further information, please contact your Actuation Technologies Regional Sales Representative.

[Email here for more details.](#)

Thank you for your continuous commitment to our products.

We look forward to addressing your future actuator and process control needs.

Sincerely,

A handwritten signature in black ink, appearing to read "Massimiliano Franco". The signature is fluid and cursive, with a long horizontal stroke extending to the right.

Massimiliano Franco
Product Manager Pneumatic and Hydraulic Actuators