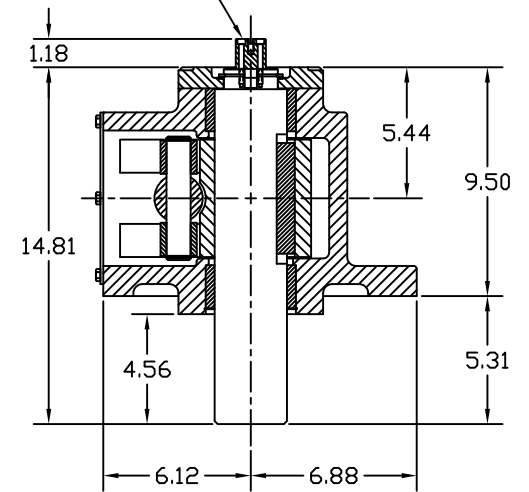
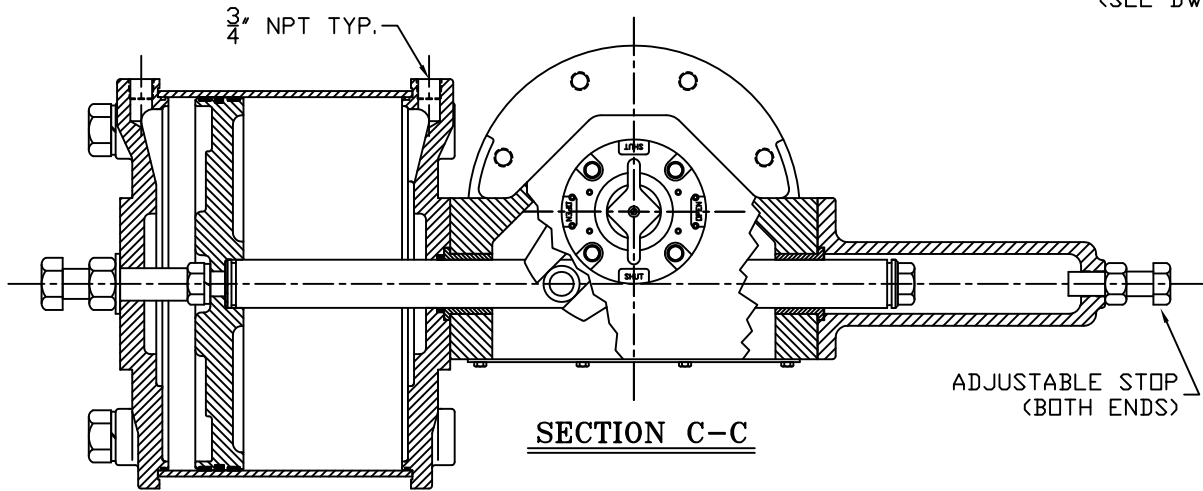
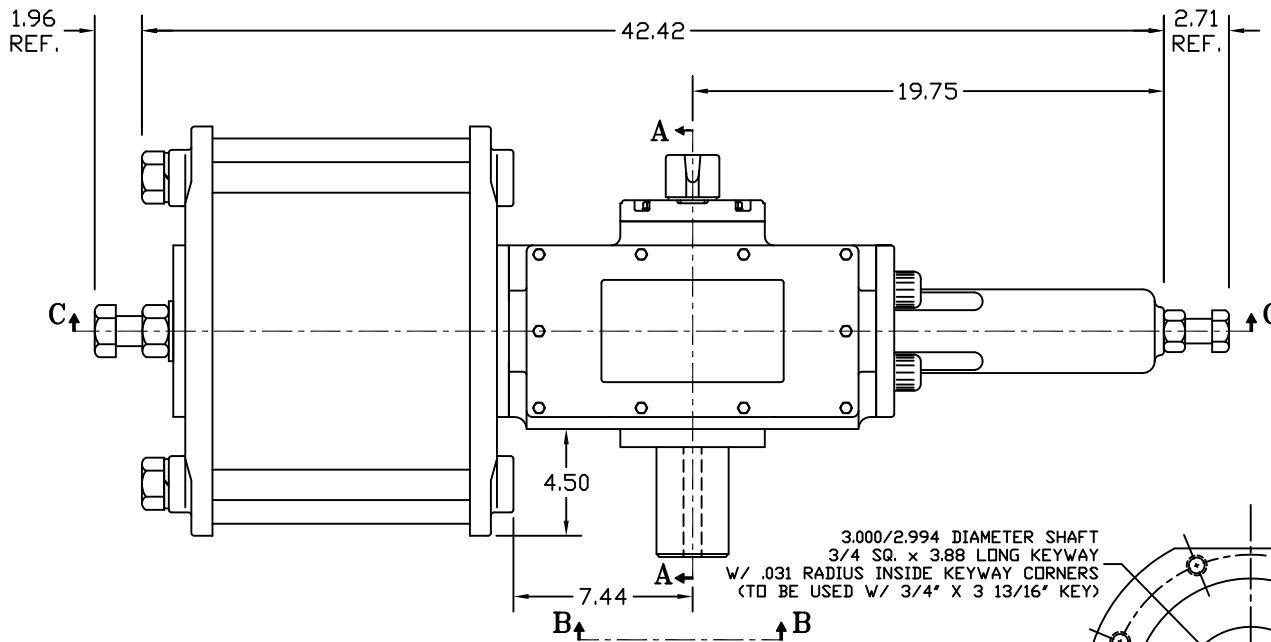


NAMUR POINTER ADAPTER
(SEE DWG. S01-02-01 FOR DETAILS)



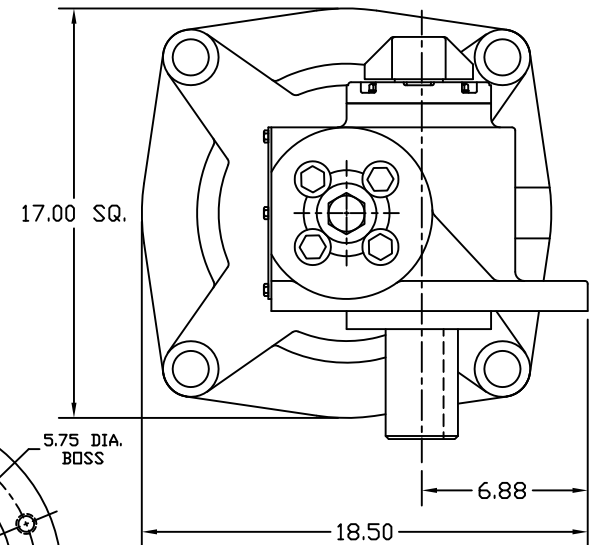
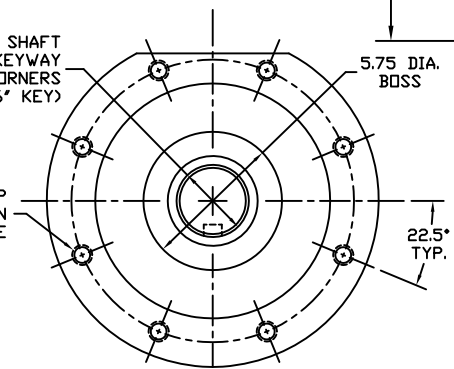
SECTION A-A

YOKE SHOWN AT MID-STROKE
POINTER OMITTED FOR CLARITY



3.000/2.994 DIAMETER SHAFT
3/4 SQ. x 3.88 LONG KEYWAY
W/ .031 RADIUS INSIDE KEYWAY CORNERS
(TO BE USED W/ 3/4" X 3 13/16" KEY)

3/4-10 UNC TAP x 1.18 DEEP
(8) PLACES AS SHOWN ON
11.73 DIAMETER BOLT CIRCLE



MORIN BIRMINGHAM, AL					
MODEL S-575U-D000 ACTUATOR					
DRAWN BY	DATE	CHECKED BY	DATE	APPROVED BY	DATE
BDC	1/17/01				
SCALE	REVISION	DRAWING NO.			
HALF	E	S30S502E			
SHEET	DWG. SIZE				
1 OF 1	E				

E	UPDATED VIEW B-B	CAW			05/06/13
D	UPDATED SECTION A-A & VIEW B-B	CAW			02/27/07
C	UPDATED SECTION A-A & VIEW B-B	CAW			07/26/06
B	UPDATED CYLINDER LENGTH TO CANTED	CAW			06/27/06
REV	CHANGE	BY	CHK	APR	DATE