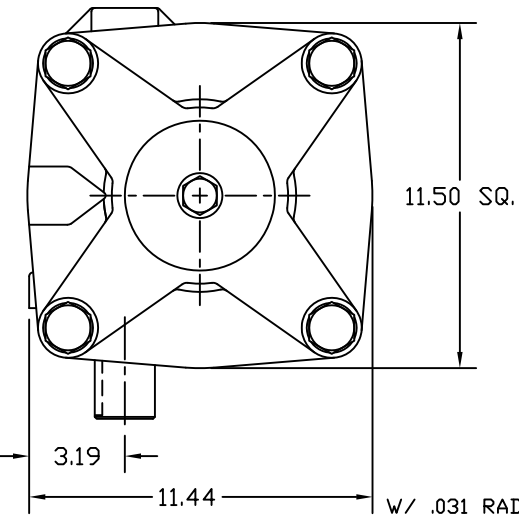
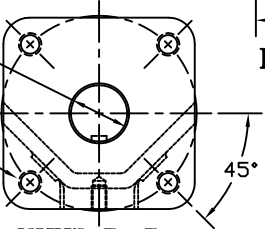
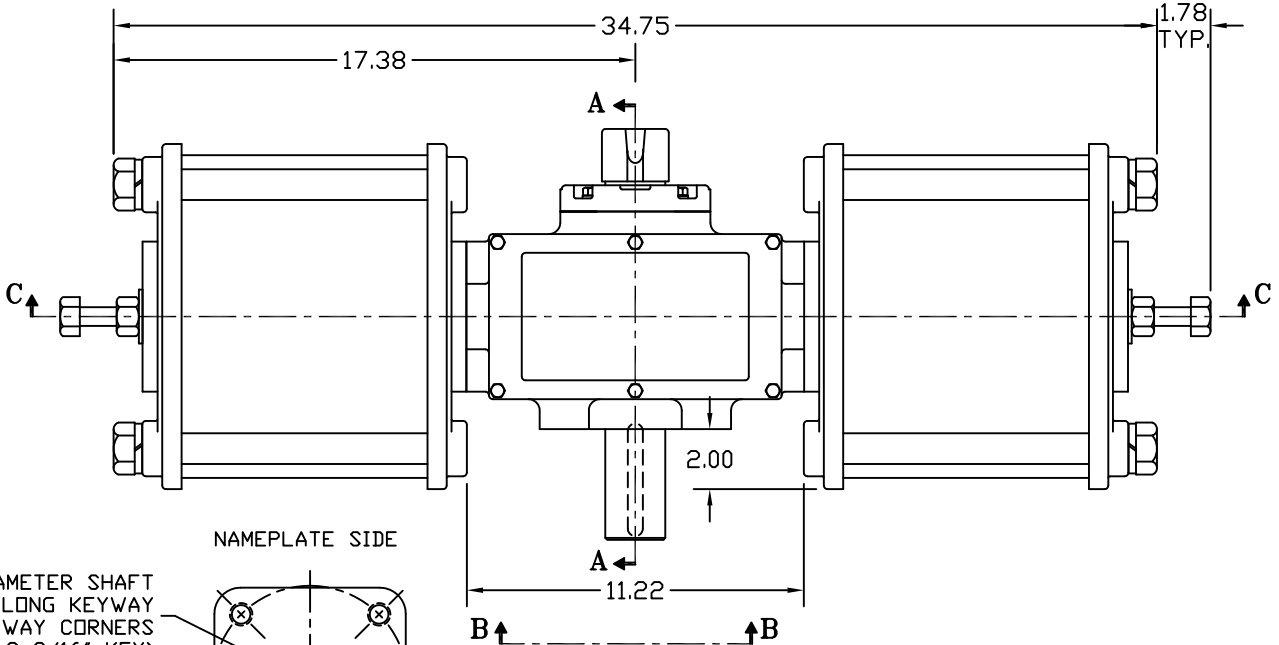
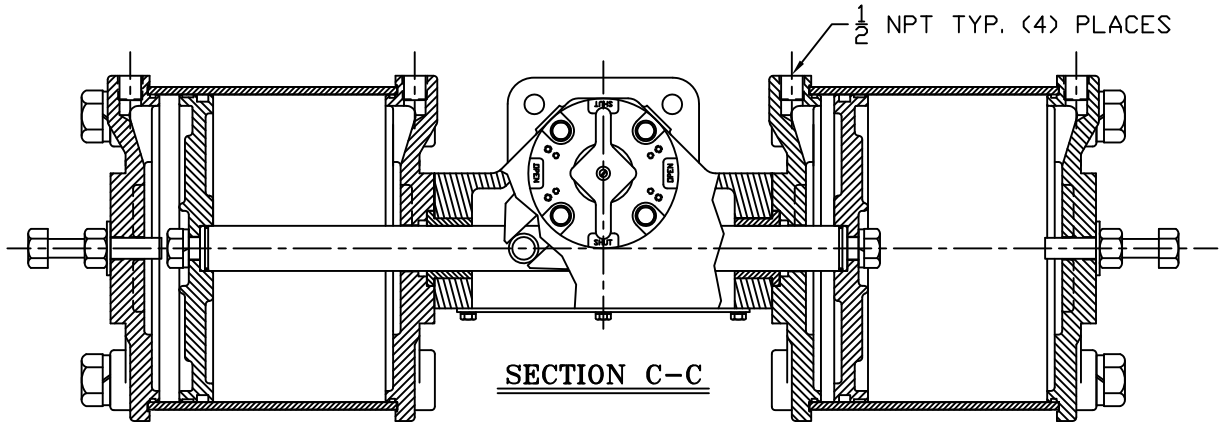


SECTION A-A
YOKE SHOWN AT MID-STROKE
POINTER OMITTED FOR CLARITY



2.000/1.994 DIAMETER SHAFT
1/2 SQ. x 3.19 LONG KEYWAY
W/ .031 RADIUS INSIDE KEYWAY CORNERS
(TO BE USED W/ 1/2" X 3 3/16" KEY)

3/4-10 UNC TAP x 1.18 DEEP
(4) PLACES AS SHOWN ON
6.50 DIAMETER BOLT CIRCLE



VIEW B-B
ISO (F16) MOUNTING PATTERN

MORIN BIRMINGHAM, AL.					
MODEL S-420U-D000 ACTUATOR					
DRAWN BY	DATE	CHECKED BY	DATE	APPROVED BY	DATE
BDC	1/17/01				
SCALE	REVISION	DRAWING NO.			
HALF	D	S25S504D			
SHEET	DWG. SIZE				
1 OF 1	D				

REV	CHANGE	BY	CHK	APR	DATE
D	UPDATED VIEW B-B & SECTION A-A	CAW			02/07/01
C	UPDATED VIEW B-B & SECTION A-A	CAW			07/21/00
B	UPDATED CYLINDER LENGTH TO CANTED	CAW			06/22/00