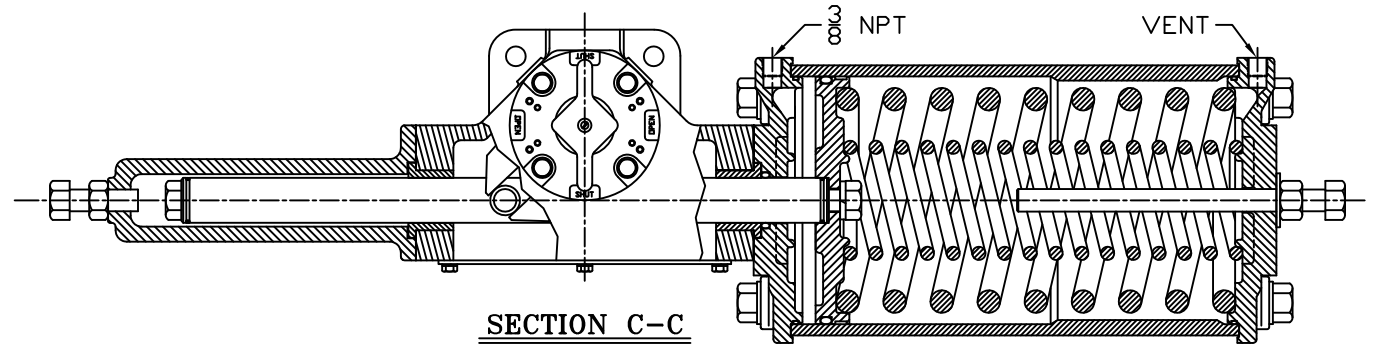
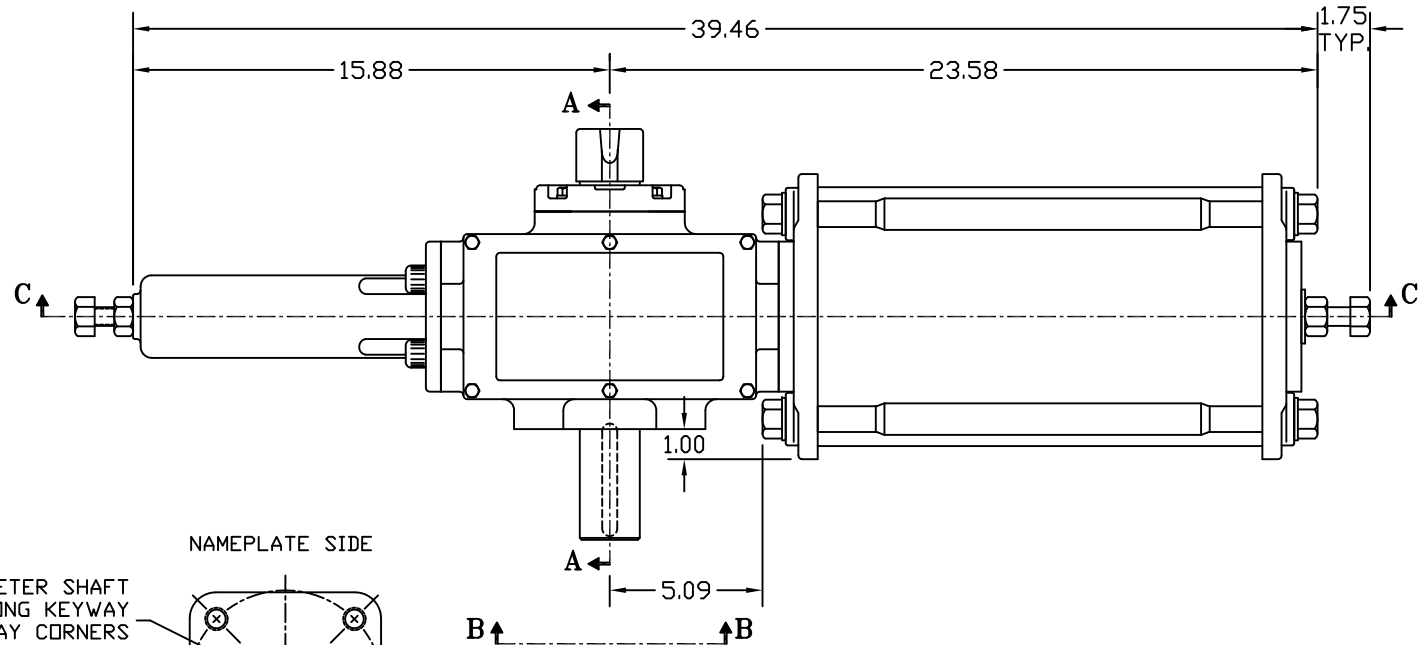
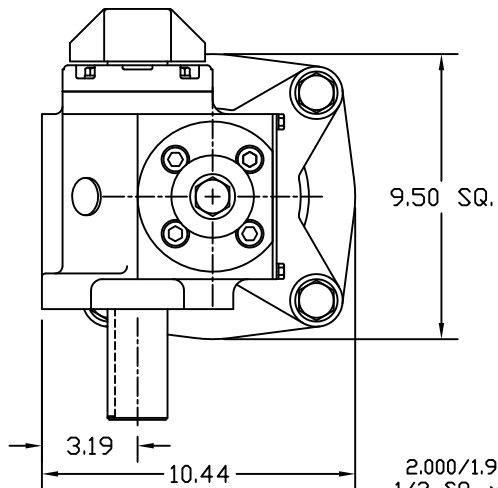


SECTION A-A

YOKE SHOWN AT MID-STROKE
POINTER OMITTED FOR CLARITY



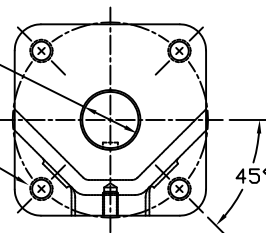
SECTION C-C



2.000/1.994 DIAMETER SHAFT
1/2 SQ. x 3.19 LONG KEYWAY
W/ .031 RADIUS INSIDE KEYWAY CORNERS
(TO BE USED W/ 1/2" x 3 3/16" KEY)

3/4-10 UNC TAP x 1.18 DEEP
(4) PLACES AS SHOWN ON
6.50 DIAMETER BOLT CIRCLE

NAMEPLATE SIDE



VIEW B-B

ISO (F16) MOUNTING PATTERN

MORIN® Birmingham, AL					
TITLE: MODEL S-135U-S000 ACTUATOR					
DRAWN BY:	DATE:	CHECKER:	DATE:	APPROVAL:	DATE:
BDC	12/29/00				
SCALE:	REVISION:	DRAWING NO.:			
HALF	D				
SHEET	DWG. SIZE:				
1 of 1	D	S25S001D			

REV	CHANGE	BY	CHK	APR	DATE
D	UPDATED VIEW B-B & SECTION A-A	CAW			02/15/07
C	UPDATED VIEW B-B	CAW			07/20/06
B	REVISED HOUSING & SECTION A-A	BDC			