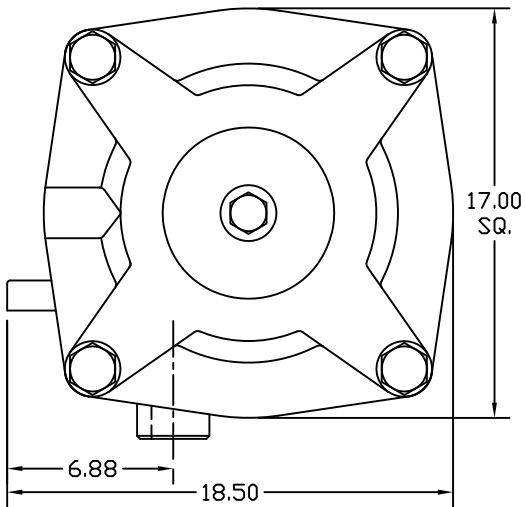
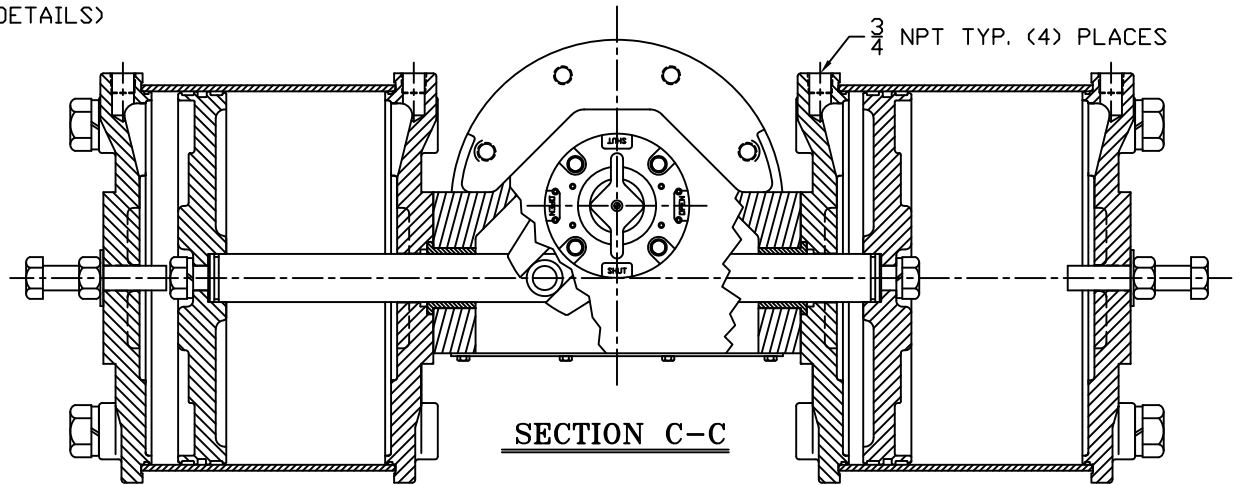


SECTION A-A
 YOKE SHOWN AT MID-STROKE
 POINTER OMITTED FOR CLARITY

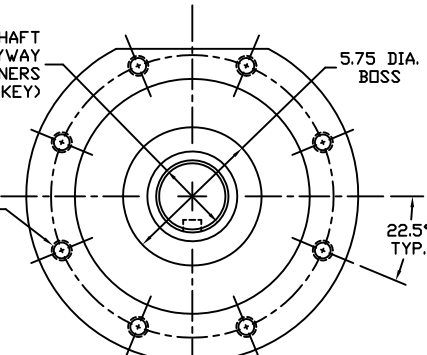
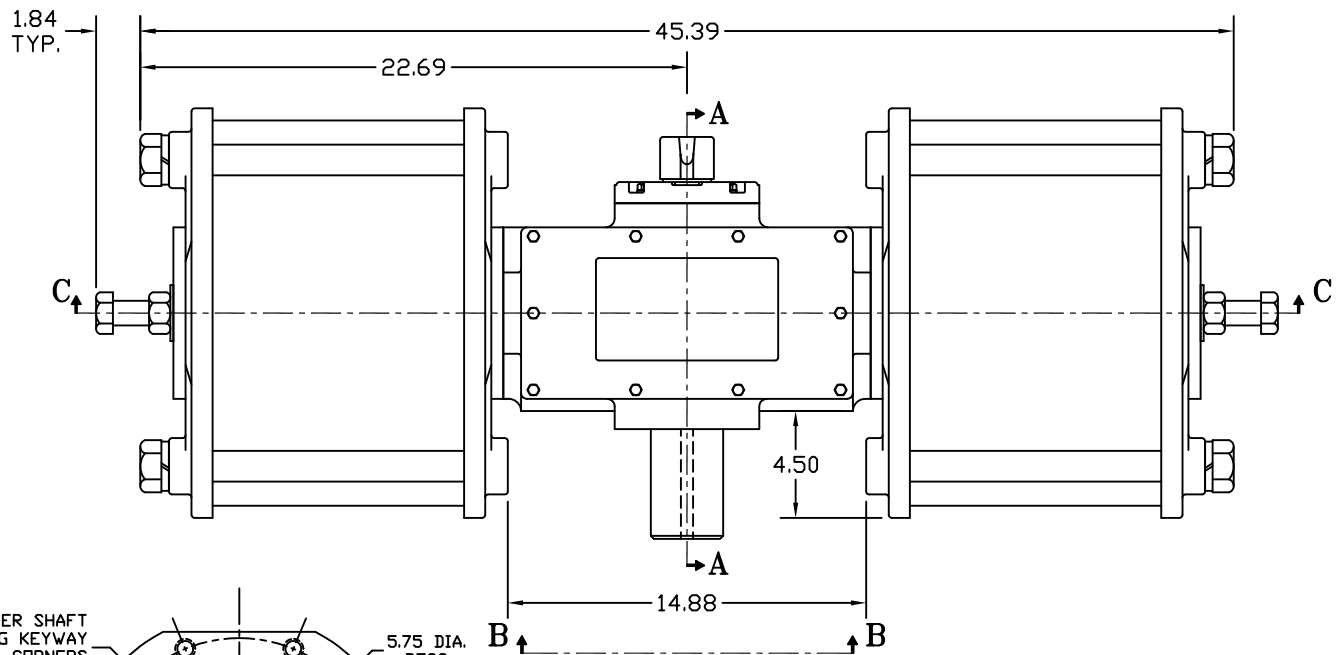


3.000/2.994 DIAMETER SHAFT
 3/4 SQ. x 3.88 LONG KEYWAY
 W/ .031 RADIUS INSIDE KEYWAY CORNERS
 (TO BE USED W/ 3/4" x 3 13/16" KEY)

3/4-10 UNC TAP x 1.18 DEEP
 (8) PLACES AS SHOWN ON
 11.73 DIAMETER BOLT CIRCLE



SECTION C-C



VIEW B-B
 ISO F30 MOUNTING PATTERN

MORIN BIRMINGHAM, AL					
MODEL S-1150U-D000 ACTUATOR					
DRAWN BY	DATE	CHECKED BY	DATE	APPROVED BY	DATE
BDC	1/17/01				
SCALE	REVISION	DRAWING NO.			
HALF	E	S30S504E			
SHEET	DWG. SIZE				
1 OF 1	E				

REV	CHANGE	BY	CHK	APR	DATE
E	UPDATED VIEW B-B	CAW			05/06/13
D	UPDATED SECTION A-A & VIEW B-B	CAW			02/27/07
C	UPDATED SECTION A-A & VIEW B-B	CAW			07/26/06
B	UPDATED CYLINDER LENGTH TO CANTED	CAW			06/27/06