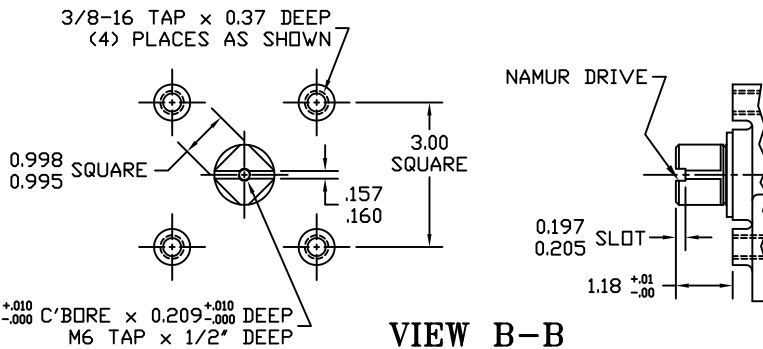
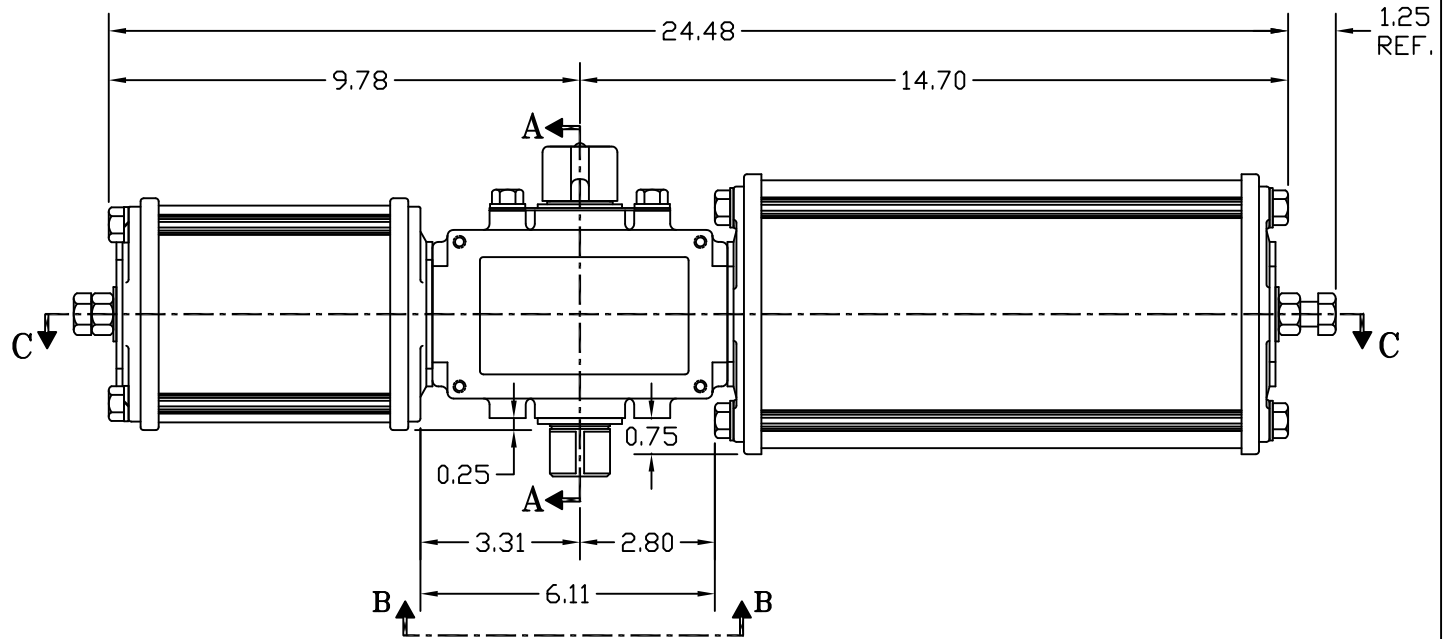
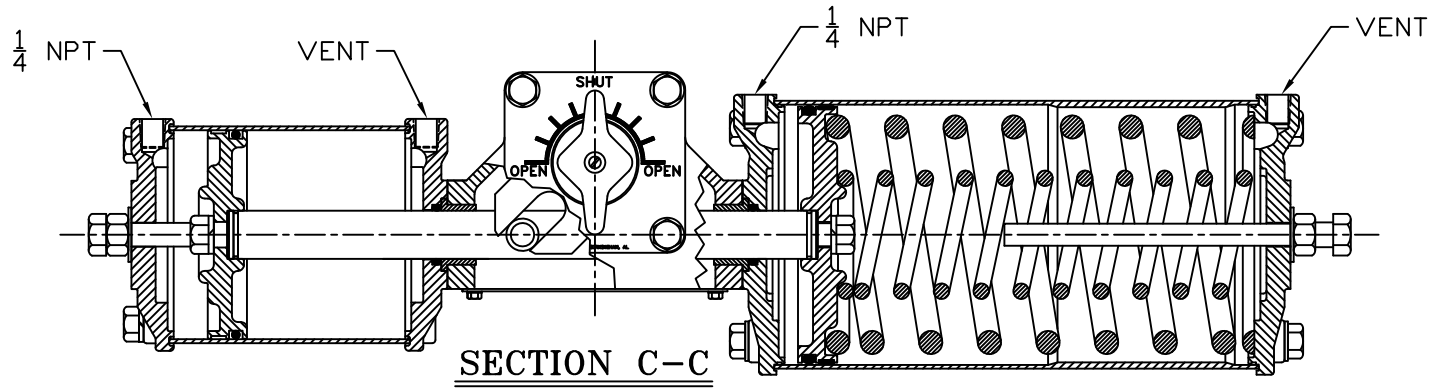
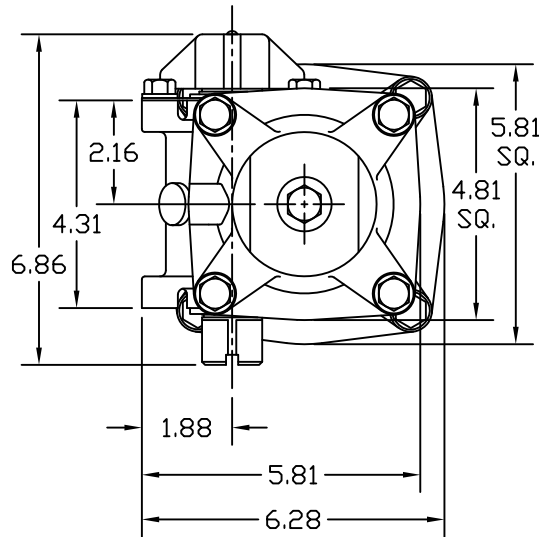


SECTION A-A

YOKE SHOWN AT MID-STROKE
POINTER OMITTED FOR CLARITY



VIEW B-B

MODEL 15 SS MOUNTING PATTERN BOTH SIDES
(SCALE: N.T.S.)

NOTE(S):

1. DUE TO SIZE LIMITATIONS, THIS MODEL REQUIRES THE OPTIONAL NAMUR BRACKET FOR MOUNTING NAMUR ACCESSORIES.

REV	DESCRIPTION	BY	CHK	APR	DATE
C	UPDATED CYLINDER LENGTH TO CANTED	CAW			06/13/06
B	NEW EXTENDED FORK YOKE DESIGN	BDC			
	CHANGE				

MORIN Birmingham, AL					
TITLE: MODEL S-059U-S000 ACTUATOR					
DRAWN BY:	DATE:	CHECKER:	DATE:	APPROVAL:	DATE:
BDC	12/4/01				
SCALE:	FULL	REVISION:	C	DRAWING NO.:	
SHEET	1 of 1	DWG. SIZE:	E	S15S009C	