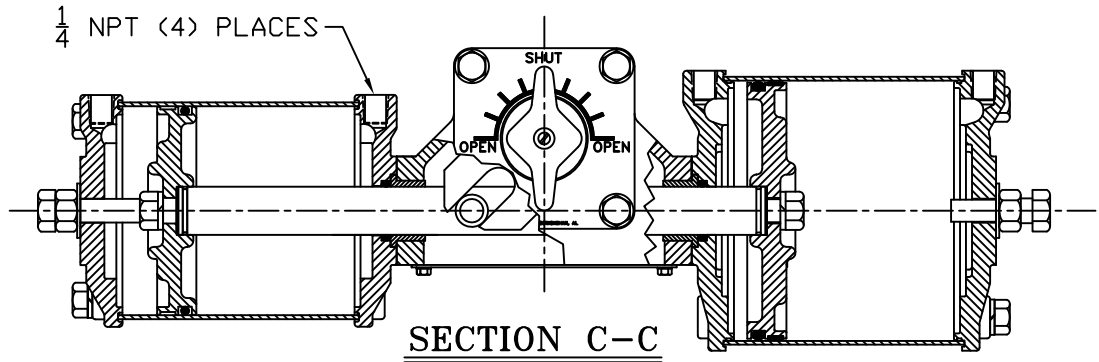
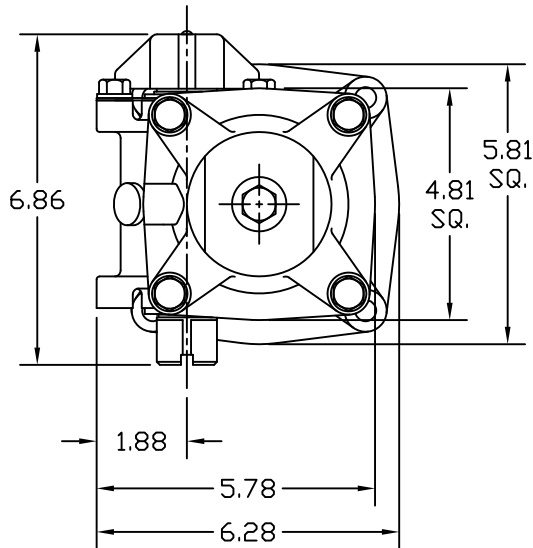
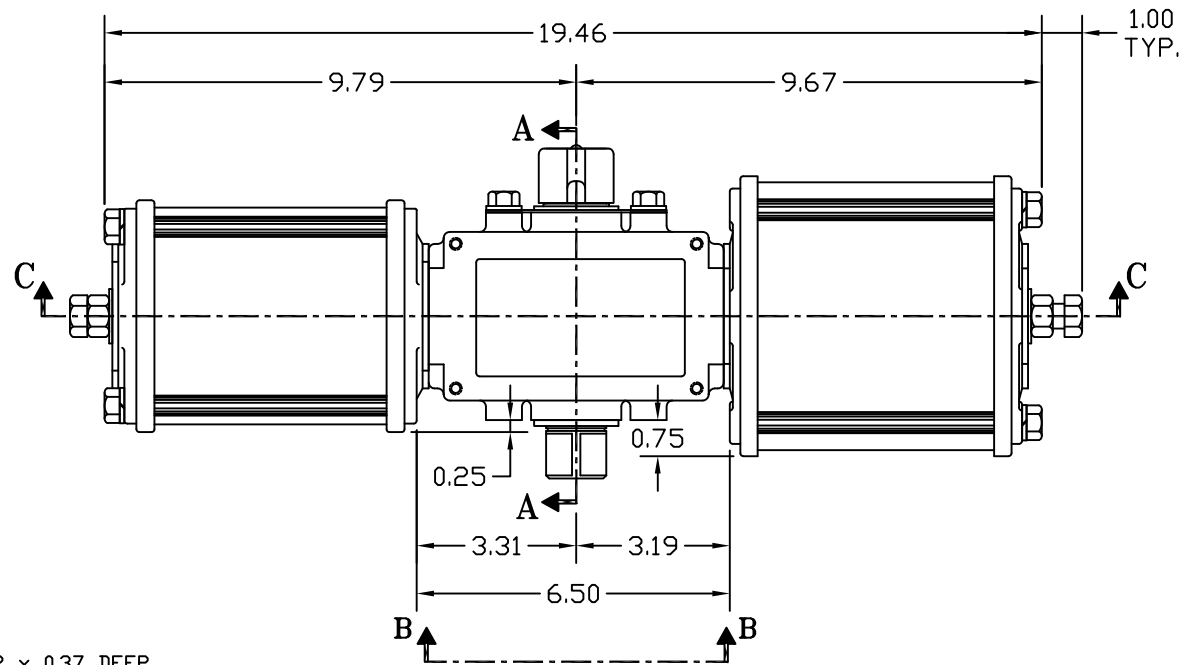


SECTION A-A

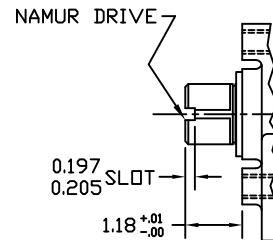
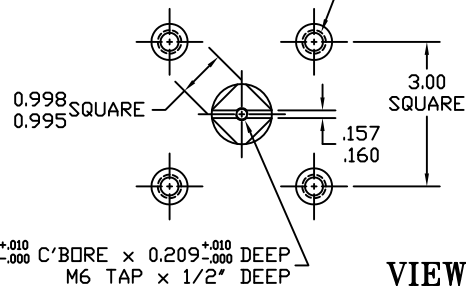
YOKE SHOWN AT MID-STROKE
POINTER OMITTED FOR CLARITY



SECTION C-C



3/8-16 TAP x 0.37 DEEP
(4) PLACES AS SHOWN



NOTE(S):

1. DUE TO SIZE LIMITATIONS, THIS MODEL REQUIRES THE OPTIONAL NAMUR BRACKET FOR MOUNTING NAMUR ACCESSORIES.

VIEW B-B

MODEL 15 SS MOUNTING PATTERN BOTH SIDES
(SCALE: N.T.S.)

REV	DESCRIPTION	BY	CHK	APR	DATE
D	UPDATED SECTION A-A	CAW			07/19/06
C	UPDATED CYLINDER LENGTH TO CANTED	CAW			06/15/06
B	NEW EXTENDED FORK YOKE DESIGN	BDC			
	CHANGE				

MORIN Birmingham, AL					
TITLE: MODEL S-059U-D000 ACTUATOR					
DRAWN BY:	DATE:	CHECKER:	DATE:	APPROVAL:	DATE:
BDC	12/27/01				
SCALE:	REVISION:	DRAWING NO.:			
FULL	D	S15S508D			
SHEET	DWG. SIZE:				
1 of 1	E				