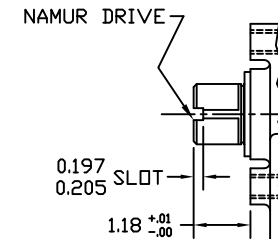
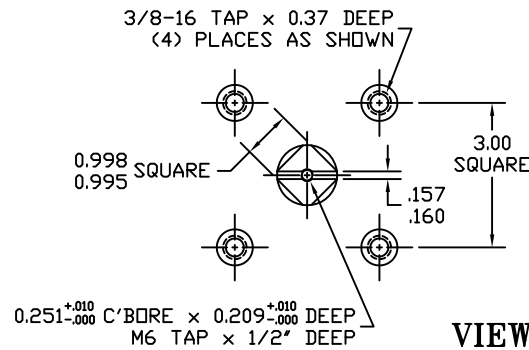
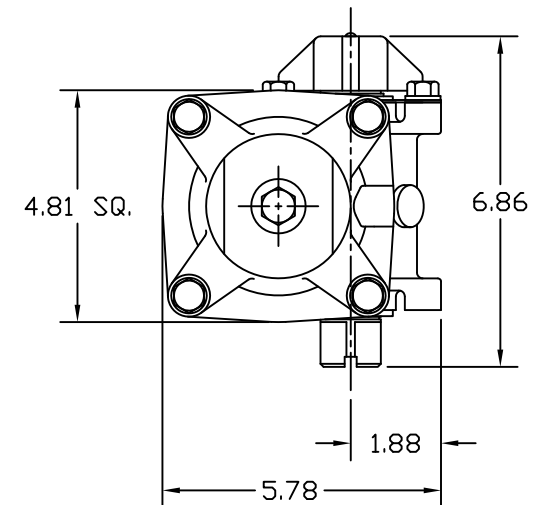
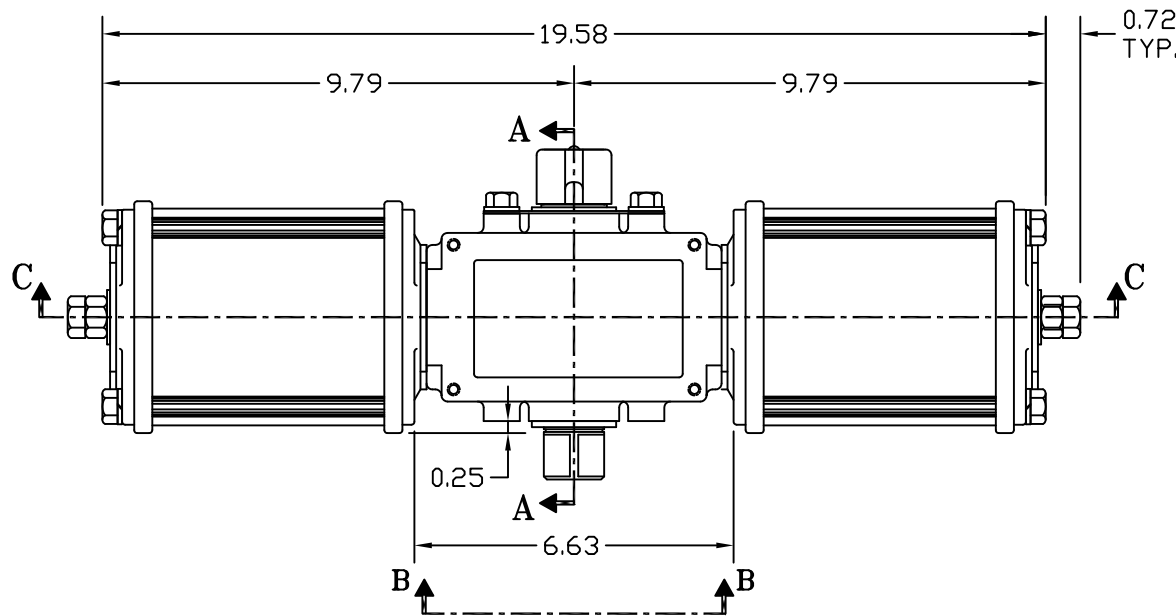


**SECTION A-A**  
 YOKE SHOWN AT MID-STROKE  
 POINTER OMITTED FOR CLARITY



**NOTE(S):**

1. DUE TO SIZE LIMITATIONS, THIS MODEL REQUIRES THE OPTIONAL NAMUR BRACKET FOR MOUNTING NAMUR ACCESSORIES.

**VIEW B-B**

MODEL 15 SS MOUNTING PATTERN BOTH SIDES  
 (SCALE: N.T.S.)

D	UPDATED SECTION A-A	CAW		07/19/06
C	UPDATED CYLINDER LENGTH TO CANTED	CAW		06/14/06
B	NEW EXTENDED FORK YOKE DESIGN	BDC		
REV	CHANGE	BY	CHK	APR DATE

<b>MORIN</b> Birmingham, AL				
TITLE: MODEL S-046U-D000 ACTUATOR				
DRAWN BY:	DATE:	CHECKER:	DATE:	APPROVAL: DATE:
BDC	10/20/00			
SCALE:	REVISION:	D	DRAWING NO.:	
FULL				
SHEET	DWG. SIZE:	E	S15S503D	
1 of 1				