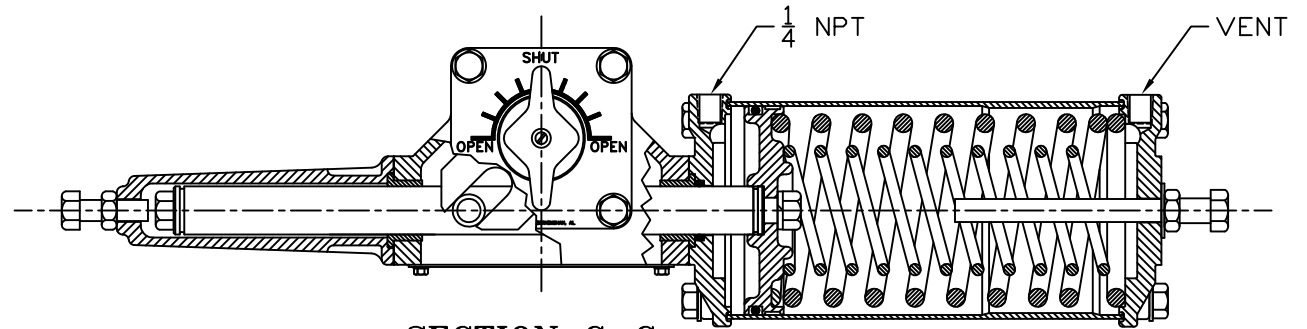
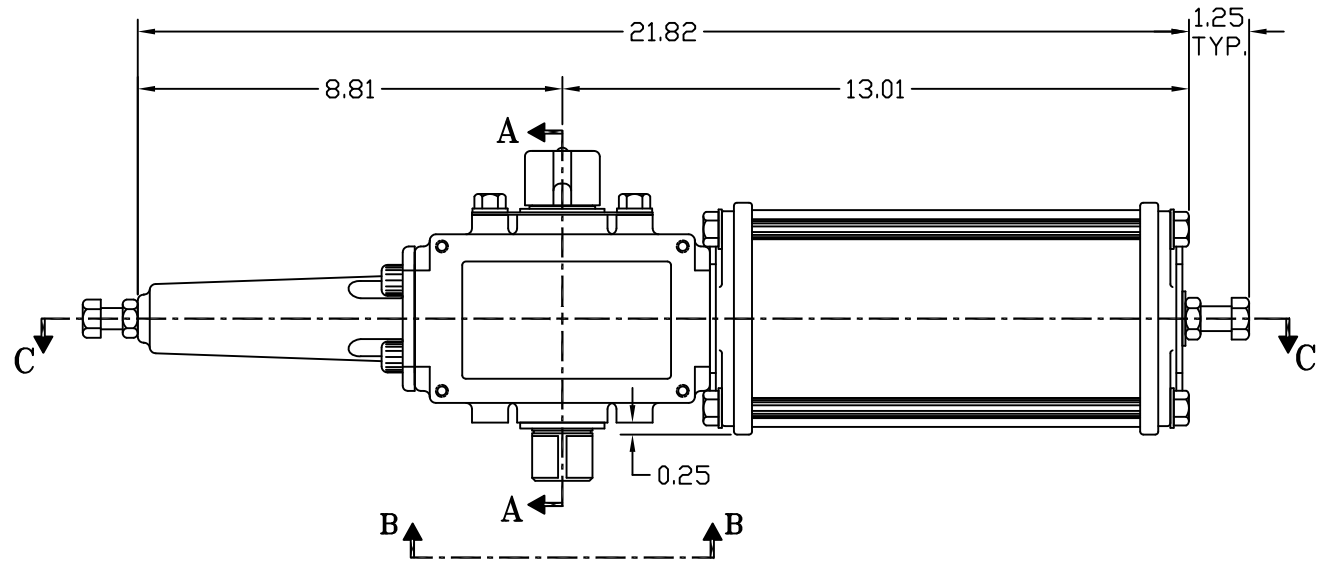
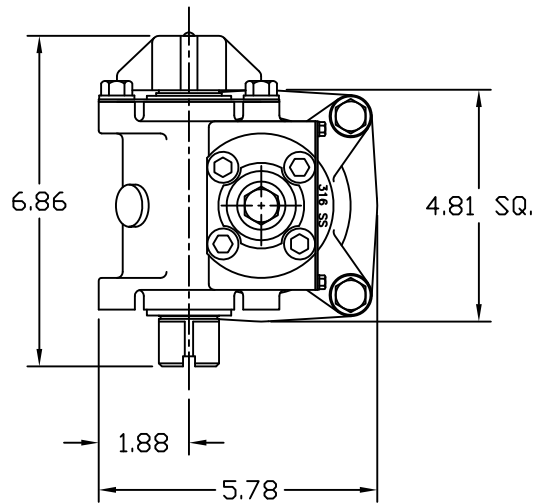


**SECTION A-A**

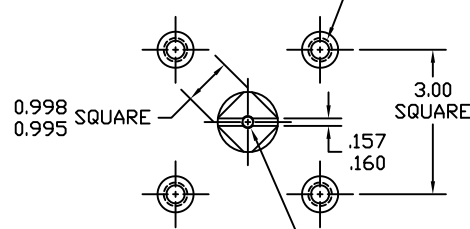
YOKE SHOWN AT MID-STROKE  
POINTER OMITTED FOR CLARITY



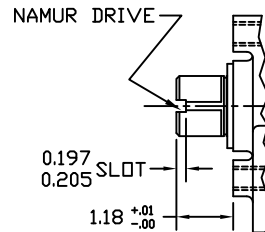
**SECTION C-C**



3/8-16 TAP x 0.37 DEEP  
(4) PLACES AS SHOWN



0.251<sup>+0.010</sup> C'BORE x 0.209<sup>+0.010</sup> DEEP  
M6 TAP x 1/2" DEEP



**VIEW B-B**

MODEL 15 SS MOUNTING PATTERN BOTH SIDES  
(SCALE: N.T.S.)

**NOTE(S):**

1. DUE TO SIZE LIMITATIONS, THIS MODEL REQUIRES THE OPTIONAL NAMUR BRACKET FOR MOUNTING NAMUR ACCESSORIES.

D	UPDATED VIEW B-B	CAW		05/06/00
C	UPDATED SECTION A-A	CAW		07/12/00
B	NEW EXTENDED FORK YOKE DESIGN	BDC		
REV	CHANGE	BY	CHK	APR DATE

<b>MORIN</b> Birmingham, AL				
TITLE: MODEL S-023U-S000 ACTUATOR				
DRAWN BY:	DATE:	CHECKER:	DATE:	APPROVAL:
BDC	10/19/00			
SCALE:	REVISION:	D	DRAWING NO.:	
FULL				
SHEET	DWG. SIZE:	E	S15S001D	
1 of 1				