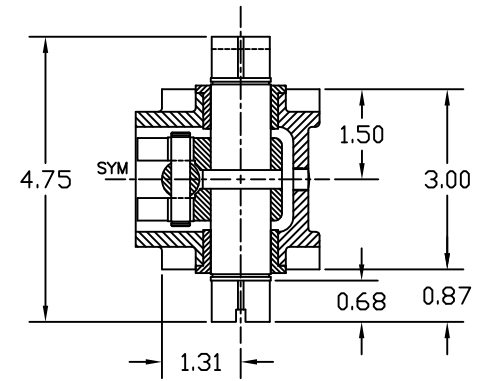
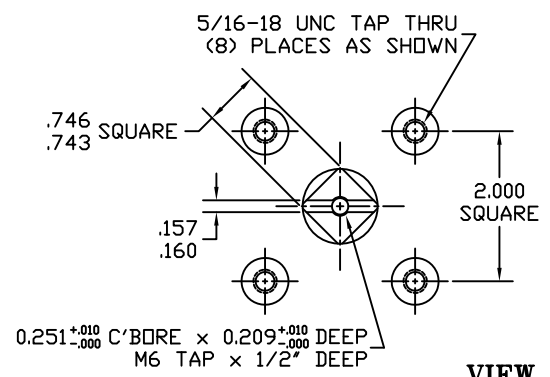
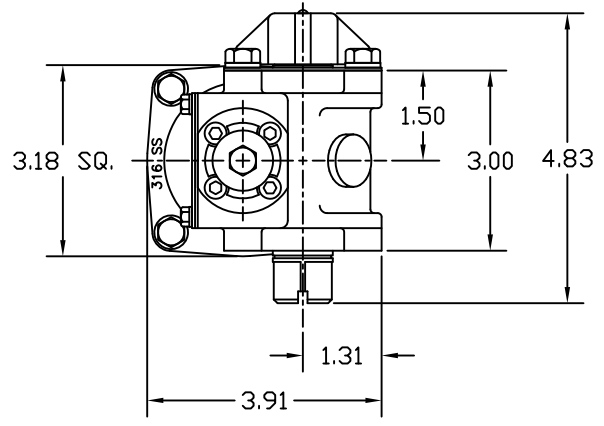
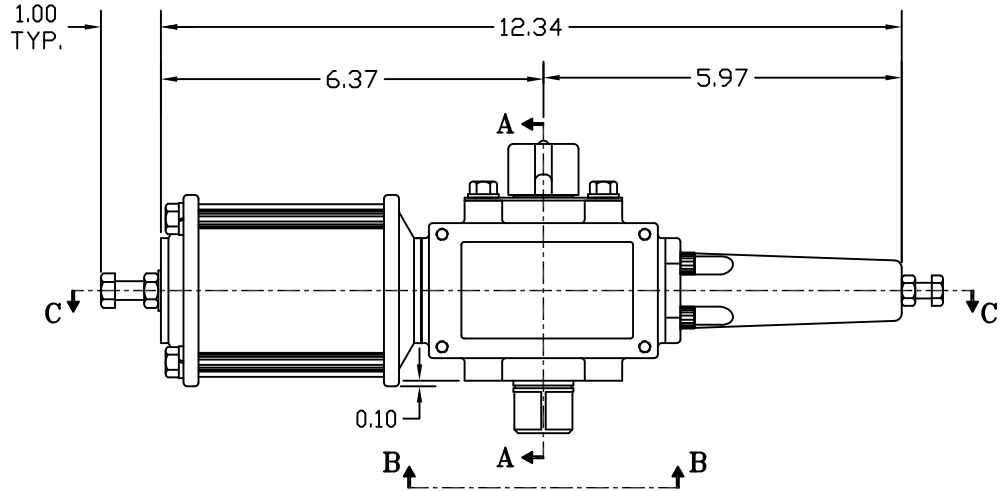


SECTION C-C



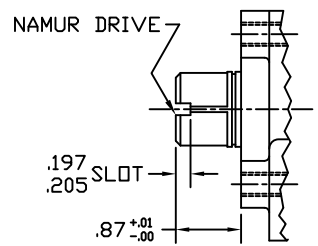
SECTION A-A

YOKE SHOWN AT MID-STROKE
POINTER OMITTED FOR CLARITY



VIEW B-B

MODEL 10 SS MOUNTING PATTERN BOTH SIDES
(SCALE: N.T.S.)



NOTE(S):
1. DUE TO SIZE LIMITATIONS, THIS MODEL REQUIRES THE OPTIONAL NAMUR BRACKET FOR MOUNTING NAMUR ACCESSORIES.

REV	CHANGE	BY	CHK	APR	DATE

MORIN® Birmingham, AL					
TITLE: MODEL S-006U-D000 ACTUATOR					
DRAWN BY:	DATE:	CHECKER:	DATE:	APPROVAL:	DATE:
BDC	9/14/00				
SCALE:	FULL	REVISION:	DRAWING NO.:		
			S10S501		
SHEET	DWG. SIZE:				
1 of 1	D				