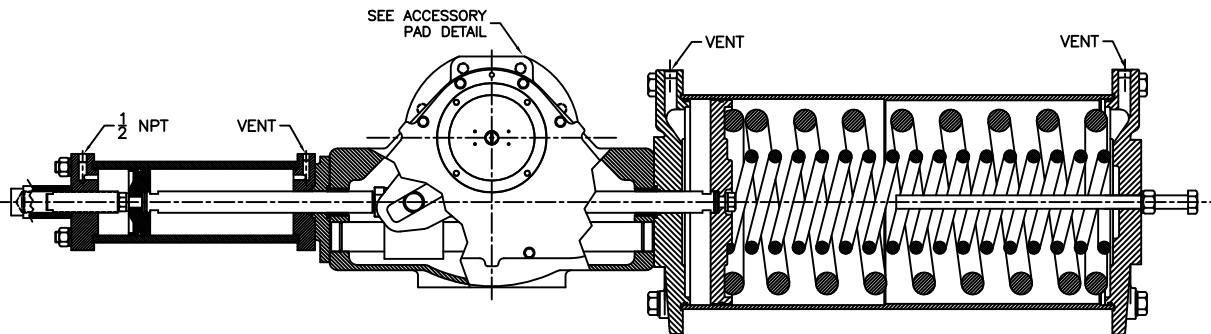
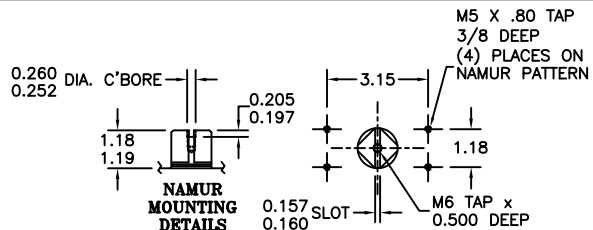
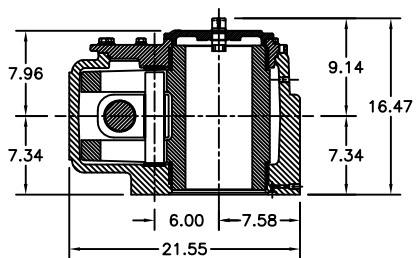


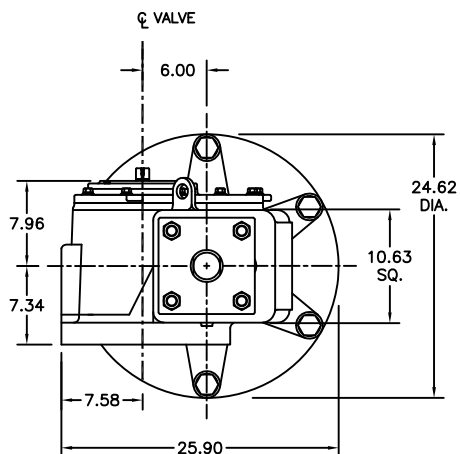
ACCESSORY PAD DETAIL
REAR VIEW



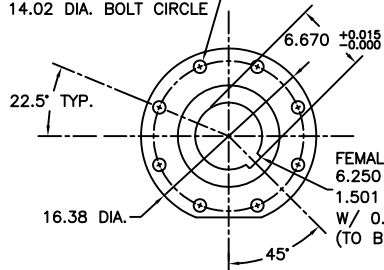
SECTION C-C



SECTION A-A
YOKE SHOWN AT MID-STROKE
ACCESSORIES OMITTED FOR CLARITY

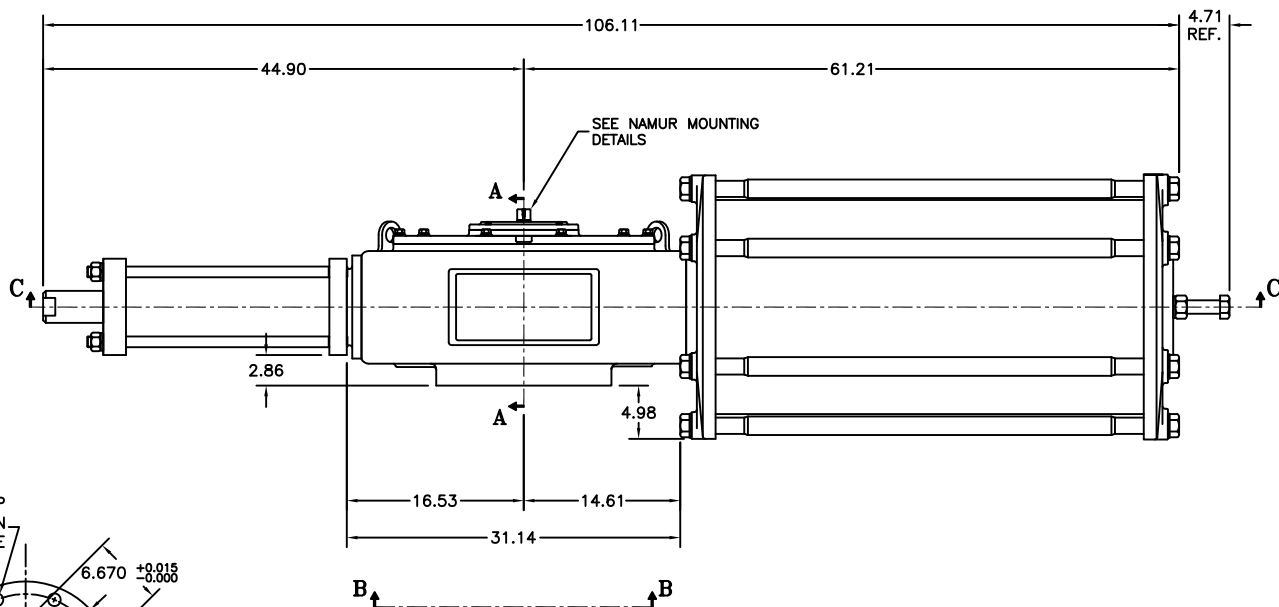


1-8 UNC-2B TAP X 1 3/4 DEEP
(8) PLACES AS SHOWN ON
14.02 DIA. BOLT CIRCLE



VIEW B-B

ISO F35 MOUNTING PATTERN
SHOWN IN CLOSED POSITION



REV	CHANGE	BY	CHK	APR	DATE

MORIN
MORIN Actuator
110 Commerce Drive
Pellham, Alabama, U.S.A. 35124
(205) 663-9333
www.morinact.com

MODEL HP65UC-6-1-3731S000 ACTUATOR

DRAWN BY: CAW DATE: 06/30/11
CHECKED: DATE: APPROVED: DATE:

SCALE: FULL REVISION: DRAWING NO.:
SHEET 1 OF 1 DWG. SIZE: E

HP60B010