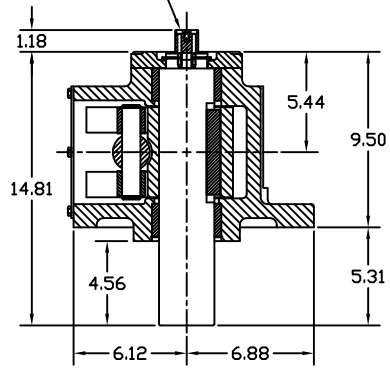
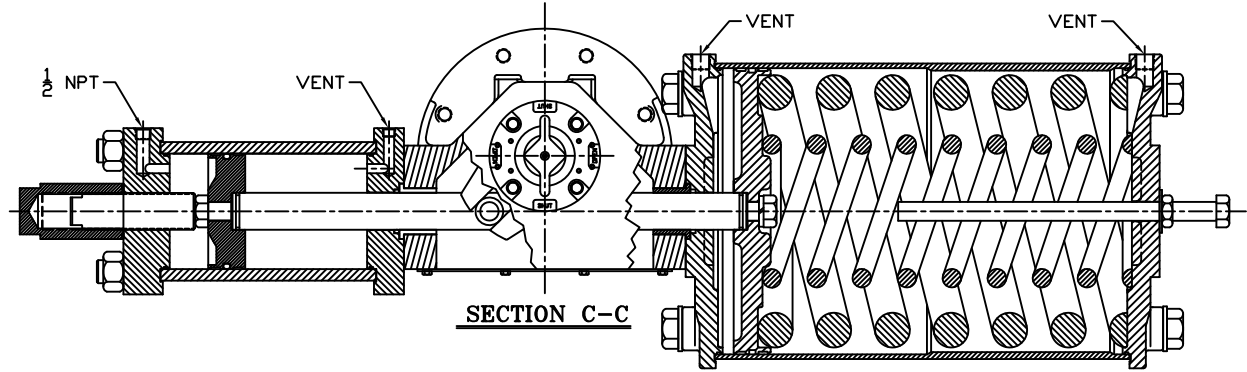


NAMUR POINTER ADAPTER
(SEE DWG. S01-02-01
FOR DETAILS)

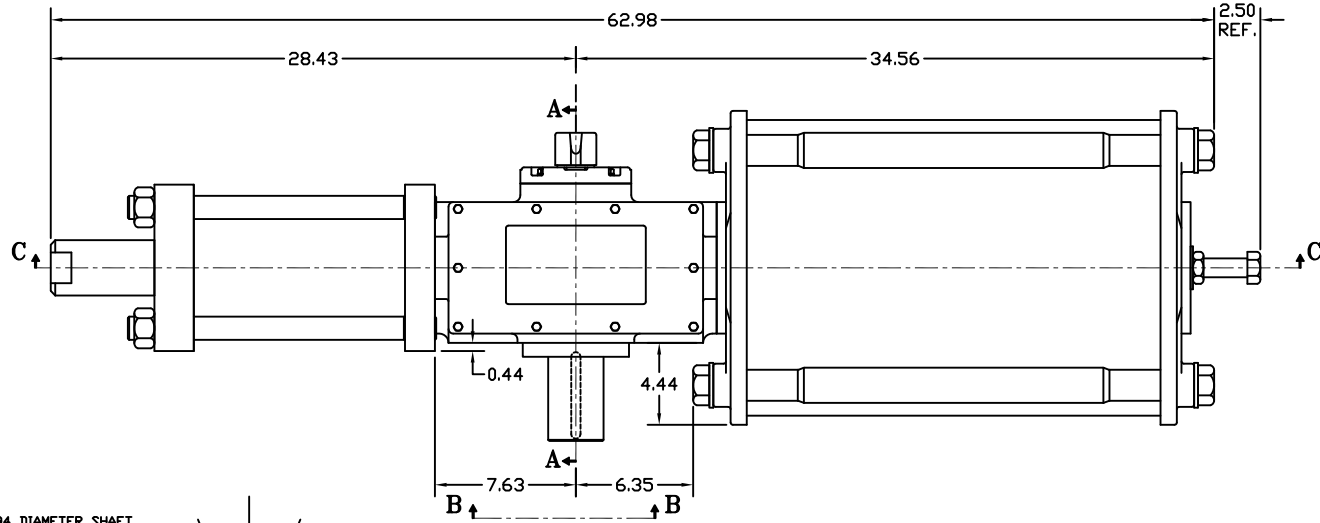
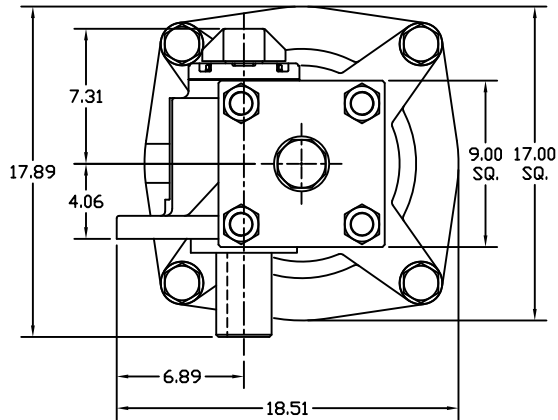


Section a-a

YOKE SHOWN AT MID-STROKE
POINTER OMITTED FOR CLARITY

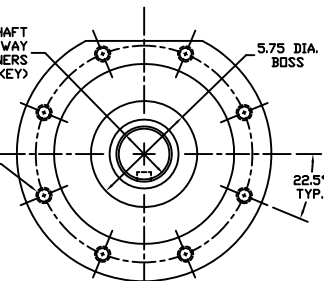


SECTION C-C



3.000/2.994 DIAMETER SHAFT
3/4 SQ. x 3.88 LONG KEYWAY
W/ .031 RADIUS INSIDE KEYWAY CORNERS
(TD BE USED W/ 3/4" x 3 13/16" KEY)

3/4-10 UNC TAP x 1.18 DEEP
(8) PLACES AS SHOWN ON
11.73 DIAMETER BOLT CIRCLE



View b-b

ISO F30 MOUNTING PATTERN

MORIN®		MorIn Actuator 110 Commerce Drive Pittman, Alabama, U.S.A. 35124 (205) 663-0533	
MODEL HP30U-6-1-1150S000 ACTUATOR			
DRAWN BY:	DATE:	CHECKED:	DATE:
CAW	08/08/06		
SCALE:	REVISION:	DRAWING NO.:	
FULL	D	HP30B006D	
SHEET	DWG. SIZE:		
1 of 1	D		

D	UPDATED VIEW B-B	CAW		04/10/13
C	REMOVED REF. DIM. ON HP CAP NUT/EXTENDED OA DIM. CHANGED HP ADAPTOR/SPRING SIDE ADAPTOR PORTS TO VENTS	CAW		04/21/08
B	UPDATED SECTION A-A & VIEW B-B	CAW		02/21/07
REV	CHANGE	BY	CHK APR	DATE