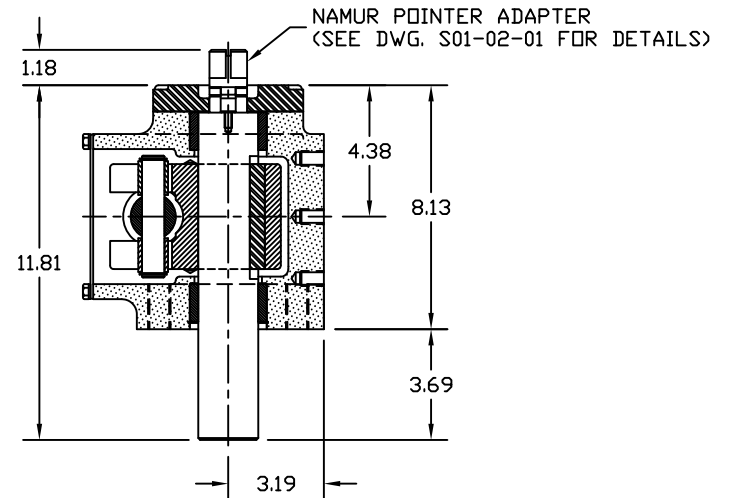
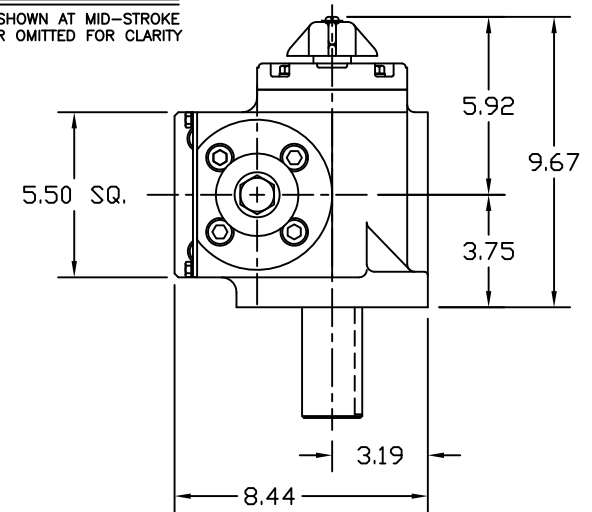
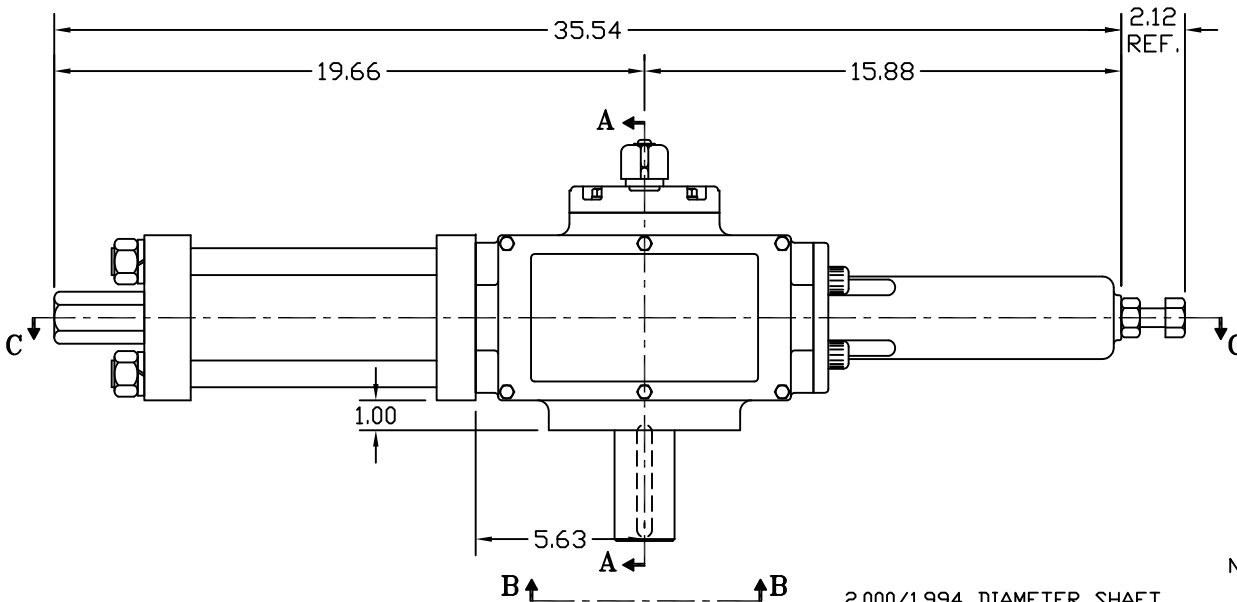


**SECTION C-C**



**SECTION A-A**

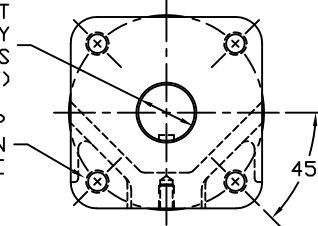
YOKE SHOWN AT MID-STROKE  
POINTER OMITTED FOR CLARITY



2.000/1.994 DIAMETER SHAFT  
1/2 SQ. x 3.19 LONG KEYWAY  
W/ .031 RADIUS INSIDE KEYWAY CORNERS  
(TO BE USED W/ 1/2" X 3 3/16" KEY)

3/4-10 UNC TAP x 1.18 DEEP  
(4) PLACES AS SHOWN ON

NAMEPLATE SIDE



**VIEW B-B**

ISO (F16) MOUNTING PATTERN

<b>MORIN®</b> Birmingham, AL					
TITLE: MODEL HP25U-3-1DA ACTUATOR					
DRAWN BY:	DATE:	CHECKER:	DATE:	APPROVAL:	DATE:
BDC	3/31/04				
SCALE:	HALF	REVISION:	C	DRAWING NO.:	
SHEET	1 of 1	DWG. SIZE:	D	HP25B501C	

REV	CHANGE	BY	CHK	APR	DATE
C	ELIMINATED REF. DIM. FROM HYD. CYL. CAP NUT	CAW			02/25/08
B	UPDATED CYLINDER LENGTH TO MATCH / UPDATED SECTION A-A & VIEW B-B	CAW			02/20/07