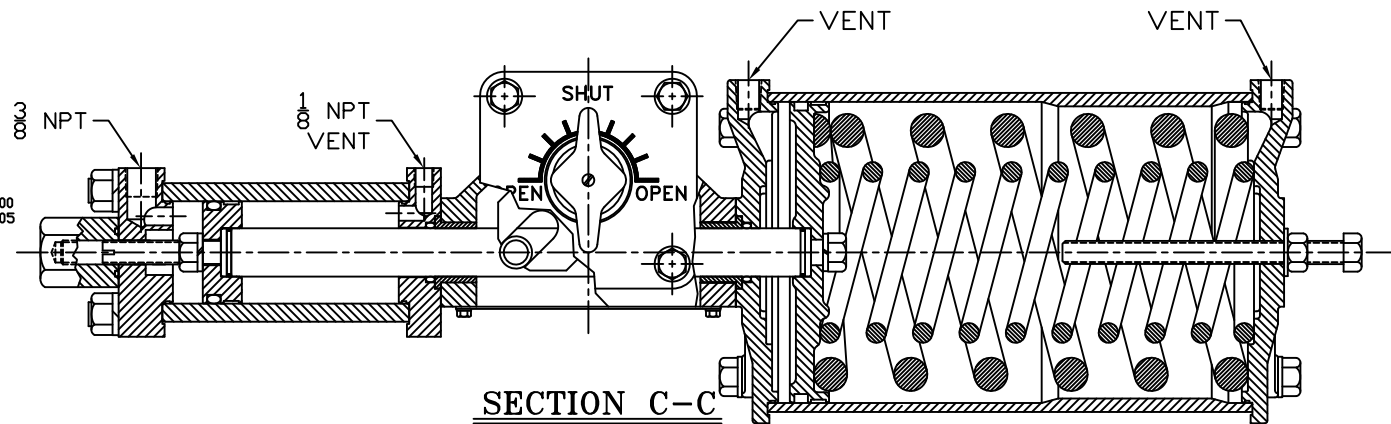
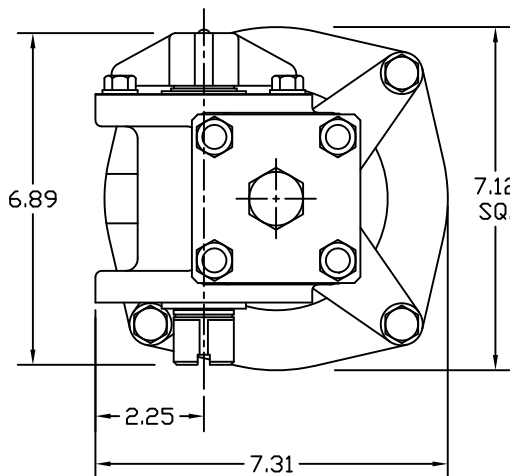
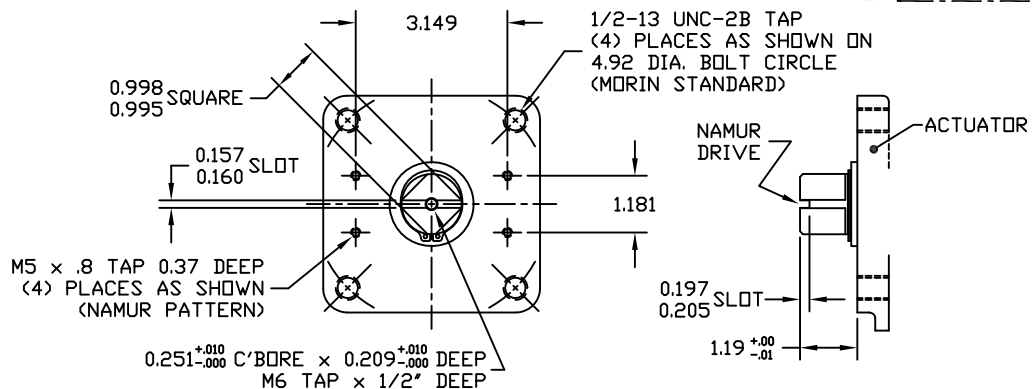
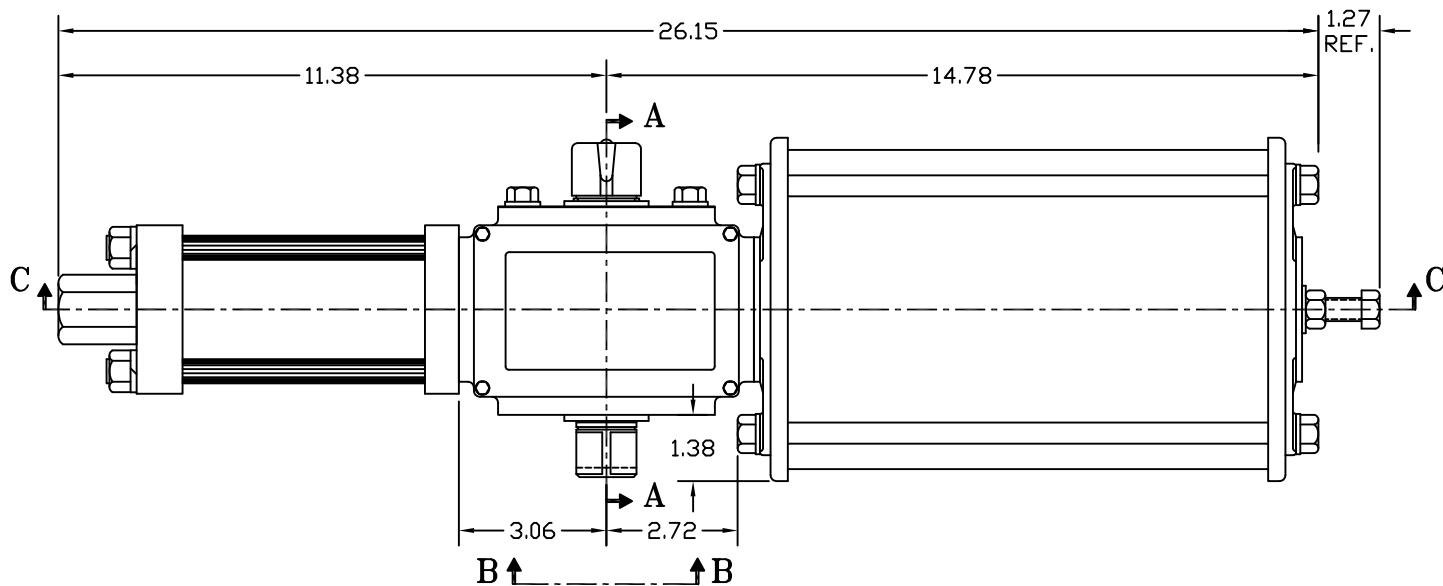


SECTION A-A

YOKE SHOWN AT MID-STROKE
POINTER OMITTED FOR CLARITY



SECTION C-C



VIEW B-B

MODEL 15B MOUNTING PATTERN (F12) BOTH SIDES
(SCALE: 1:1)

REV	DESCRIPTION	BY	CHK	APR	DATE
B	CHANGED HP ADAPTOR/SRING SIDE ADAPTOR PORTS TO VENTS	CAW			03/17/06
	CHANGE				

MORIN® Birmingham, AL					
TITLE: MODEL HP15U-2-1-100S000 ACTUATOR					
DRAWN BY:	DATE:	CHECKER:	DATE:	APPROVAL:	DATE:
CAW	08/02/06				
SCALE:	FULL	REVISION:	B	DRAWING NO.:	
SHEET	1 OF 1	DWG. SIZE:	E	HP15B006B	