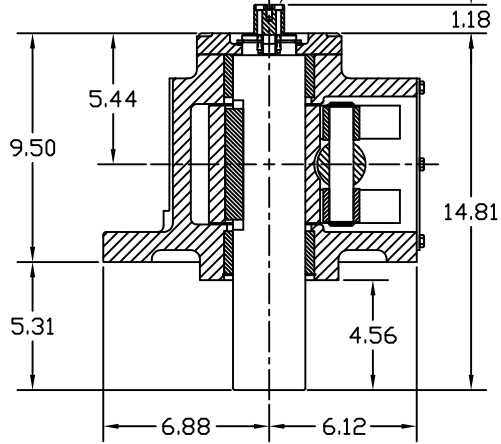
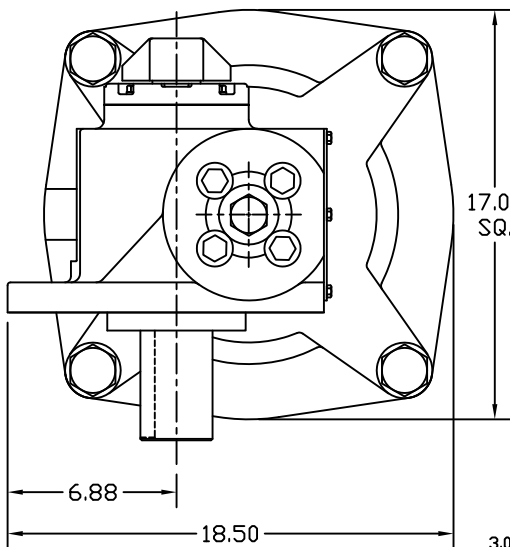


NAMUR POINTER ADAPTER
(SEE DWG. S01-02-01 FOR DETAILS)



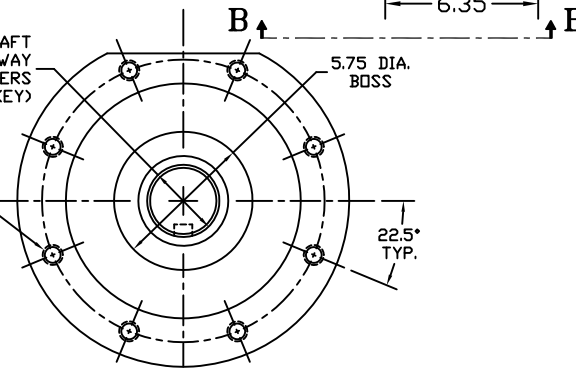
SECTION A-A

YOKE SHOWN AT MID-STROKE
POINTER OMITTED FOR CLARITY



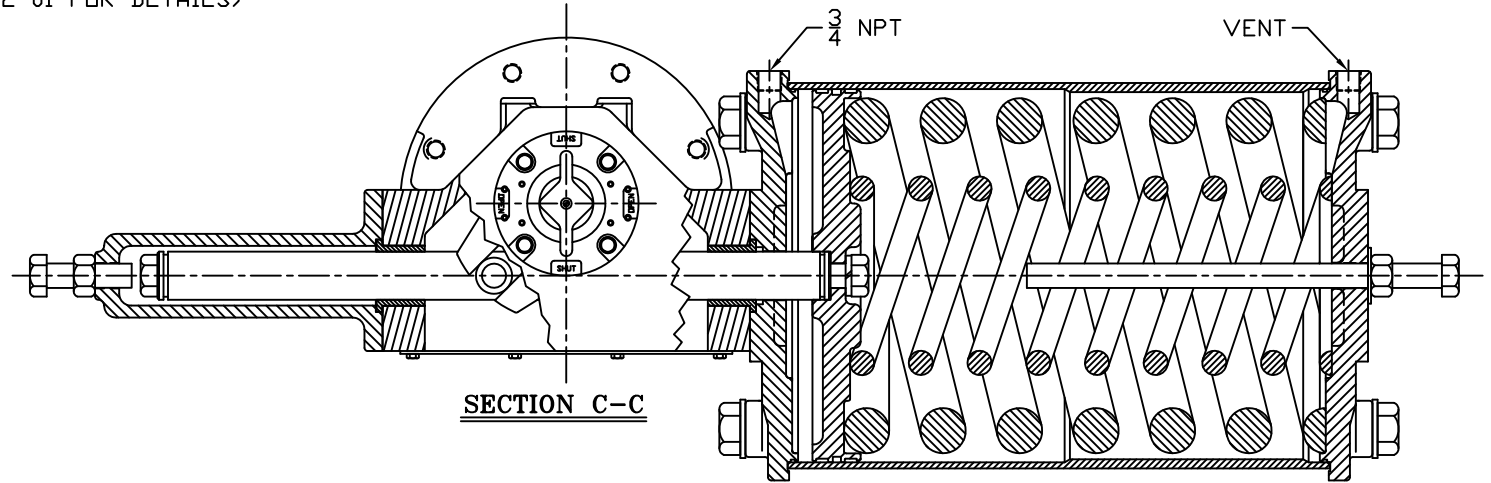
3.000/2.994 DIAMETER SHAFT
3/4 SQ. x 3.88 LONG KEYWAY
W/ .031 RADIUS INSIDE KEYWAY CORNERS
(TO BE USED W/ 3/4" X 3 13/16" KEY)

3/4-10 UNC TAP x 1.18 DEEP
(8) PLACES AS SHOWN ON
11.73 DIAMETER BOLT CIRCLE

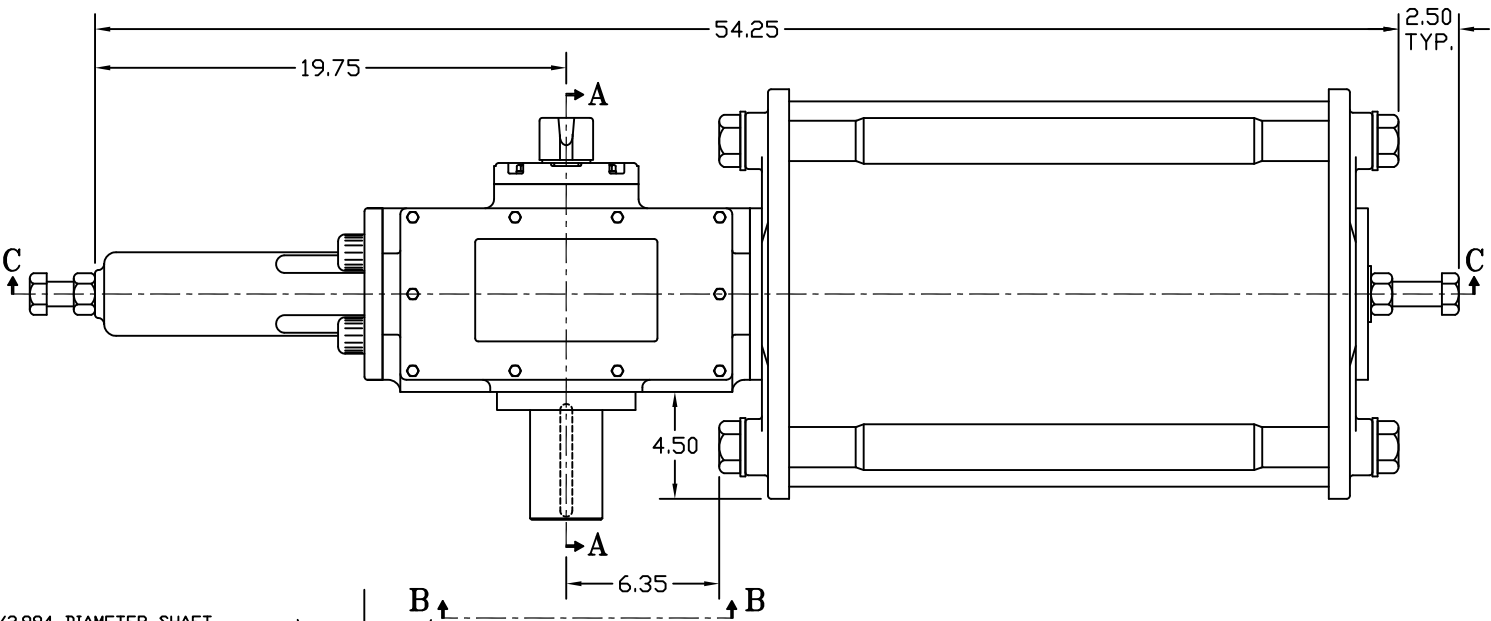


VIEW B-B

ISO F30 MOUNTING PATTERN



SECTION C-C



REV	CHANGE	BY	CHK	APR	DATE
D	UPDATED VIEW B-B	CAW			05/06/13
C	UPDATED SECTION A-A & VIEW B-B	CAW			02/27/11
B	UPDATED SECTION A-A & VIEW B-B	CAW			01/14/06

MORIN BIRMINGHAM, AL					
MODEL C-575U-S000 ACTUATOR					
DRAWN BY	DATE	CHECKED BY	DATE	APPROVED BY	DATE
BDC	4/20/01				
SCALE	HALF	REVISION	D	DRAWING NO.	
SHEET	1 OF 1	DWG. SIZE	E	S30B010D	