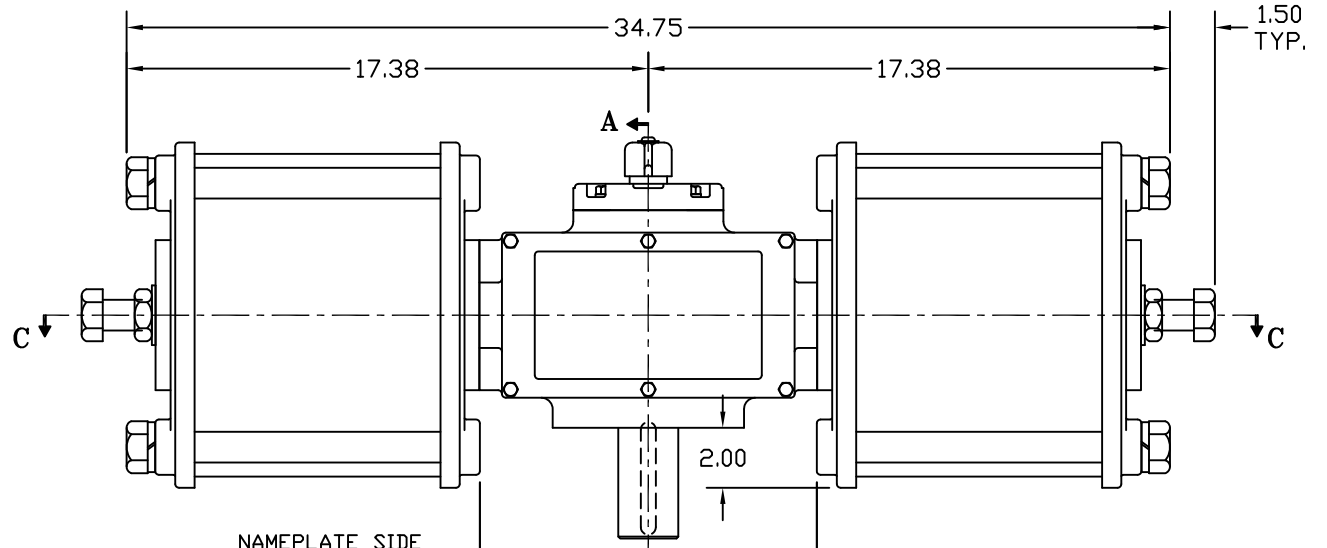
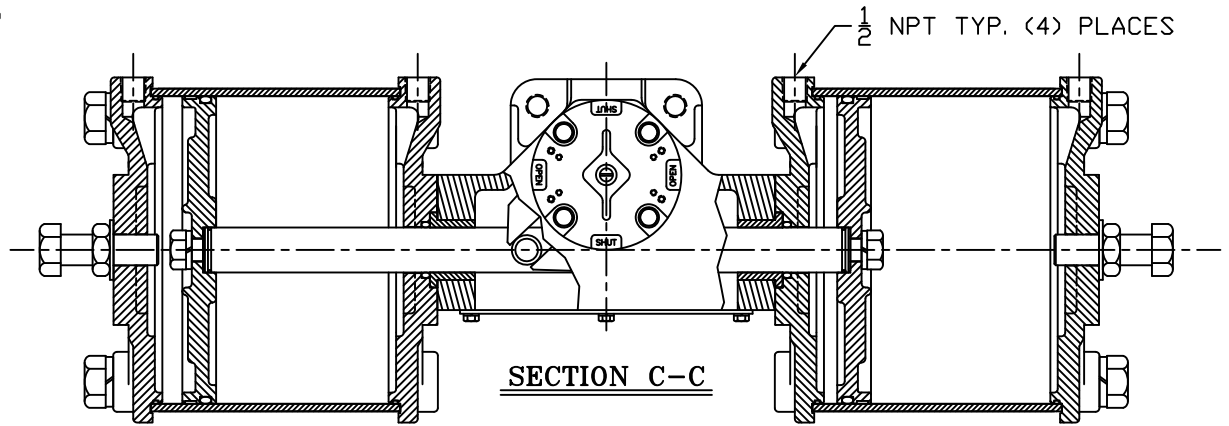


**SECTION A-A**

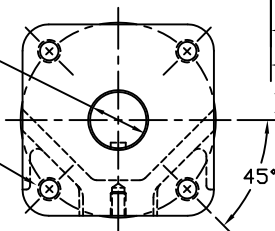
YOKE SHOWN AT MID-STROKE  
POINTER OMITTED FOR CLARITY



2.000/1.994 DIAMETER SHAFT  
1/2 SQ. x 3.19 LONG KEYWAY  
W/ .031 RADIUS INSIDE KEYWAY CORNERS  
(TO BE USED W/ 1/2" X 3 3/16" KEY)

3/4-10 UNC TAP x 1.18 DEEP  
(4) PLACES AS SHOWN ON  
6.50 DIAMETER BOLT CIRCLE

NAMEPLATE SIDE



ISO (F16) MOUNTING PATTERN

<b>MORIN®</b> Birmingham, AL					
TITLE: MODEL C-420U-D000 ACTUATOR					
DRAWN BY:	DATE:	CHECKER:	DATE:	APPROVAL:	DATE:
CAW	08/11/06				
SCALE:	REVISION:	DRAWING NO.:			
HALF	B				
SHEET	DWG. SIZE:				
1 of 1	D	S25B578B			

REV	DESCRIPTION	BY	CHK	APR	DATE
B	UPDATED SECTION A-A & VIEW B-B	CAW			02/20/07
	CHANGE				