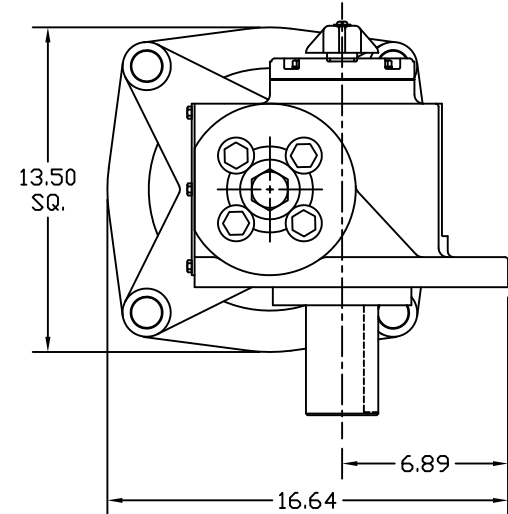
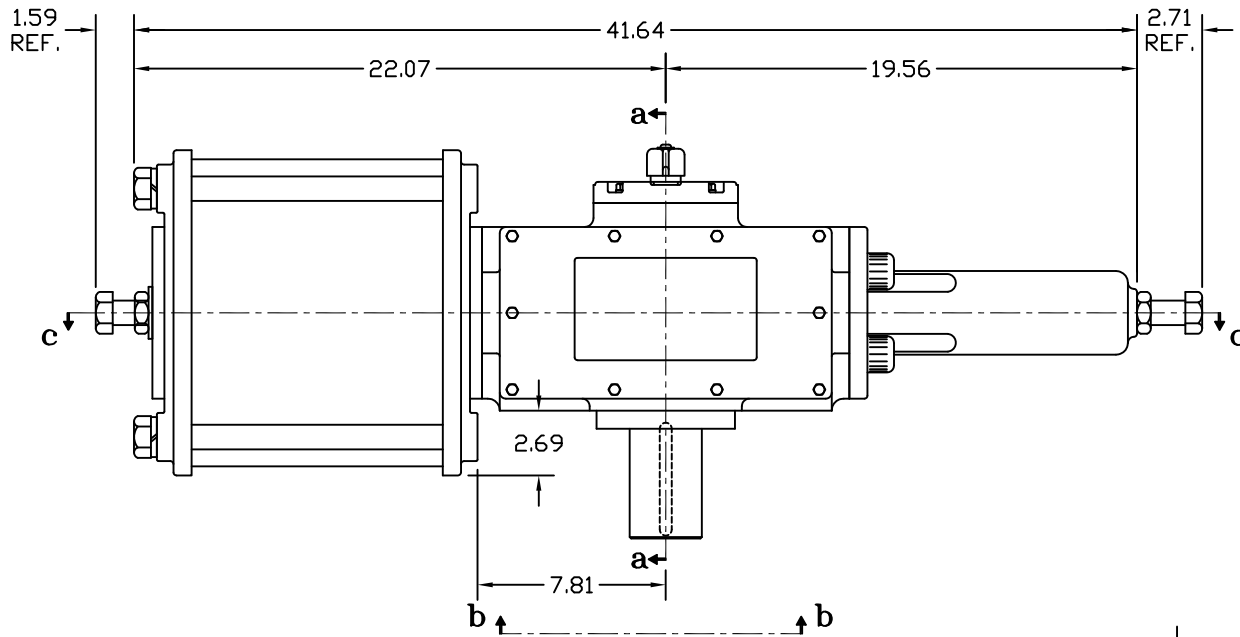
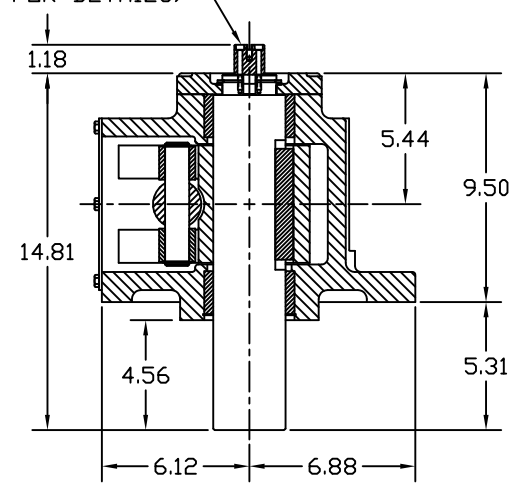
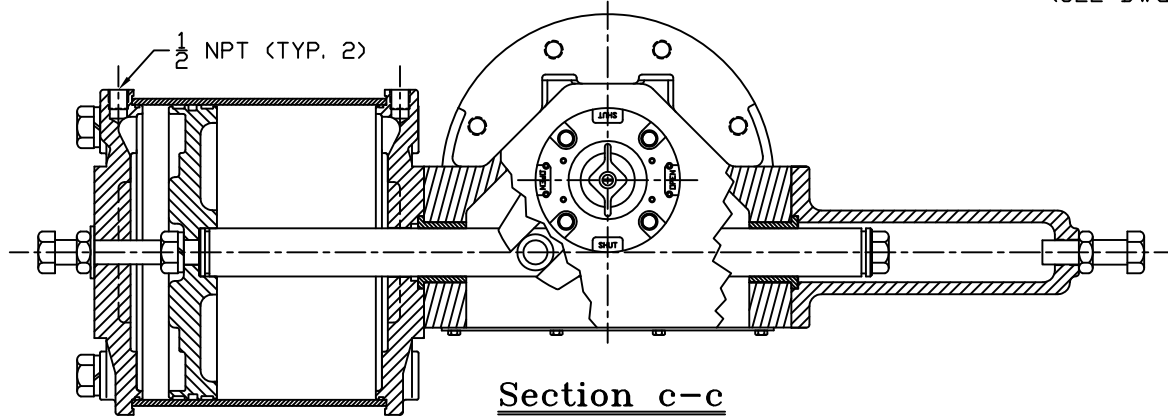
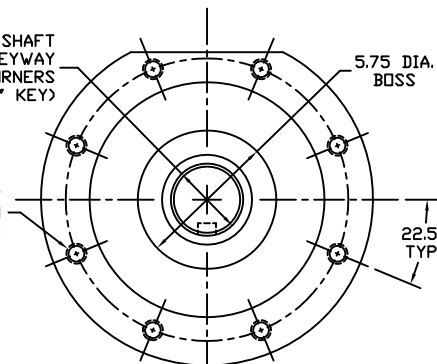


NAMUR POINTER ADAPTER
(SEE DWG. S01-02-01 FOR DETAILS)



3.000/2.994 DIAMETER SHAFT
3/4 SQ. x 3.88 LONG KEYWAY
W/ .031 RADIUS INSIDE KEYWAY CORNERS
(TO BE USED W/ 3/4" X 3 13/16" KEY)

3/4-10 UNC TAP x 1.18 DEEP
(8) PLACES AS SHOWN ON
11.73 DIAMETER BOLT CIRCLE



View b-b

ISO F30 MOUNTING PATTERN

MORIN www.morinact.com		Morin Actuator 110 Commerce Drive Pelham, Alabama, U.S.A. 35124 (205) 662-9333	
MODEL C-370U-D000 ACTUATOR			
DRAWN BY:	DATE:	CHECKED:	DATE:
CAW	08/14/06		
SCALE:	REVISION:	DRAWING NO.:	
HALF SHEET	C		
1 of 1	DWG. SIZE: E	S30B551C	

REV	CHANGE	BY	CHK	APR	DATE
C	UPDATED VIEW B-B	CAW			05/02/13
B	UPDATED SECTION A-A & VIEW B-B	CAW			02/27/07