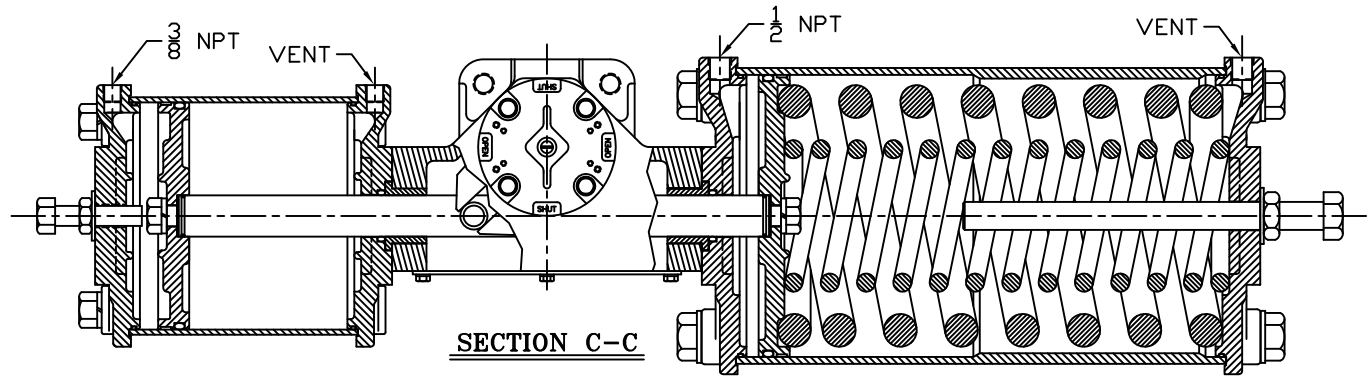
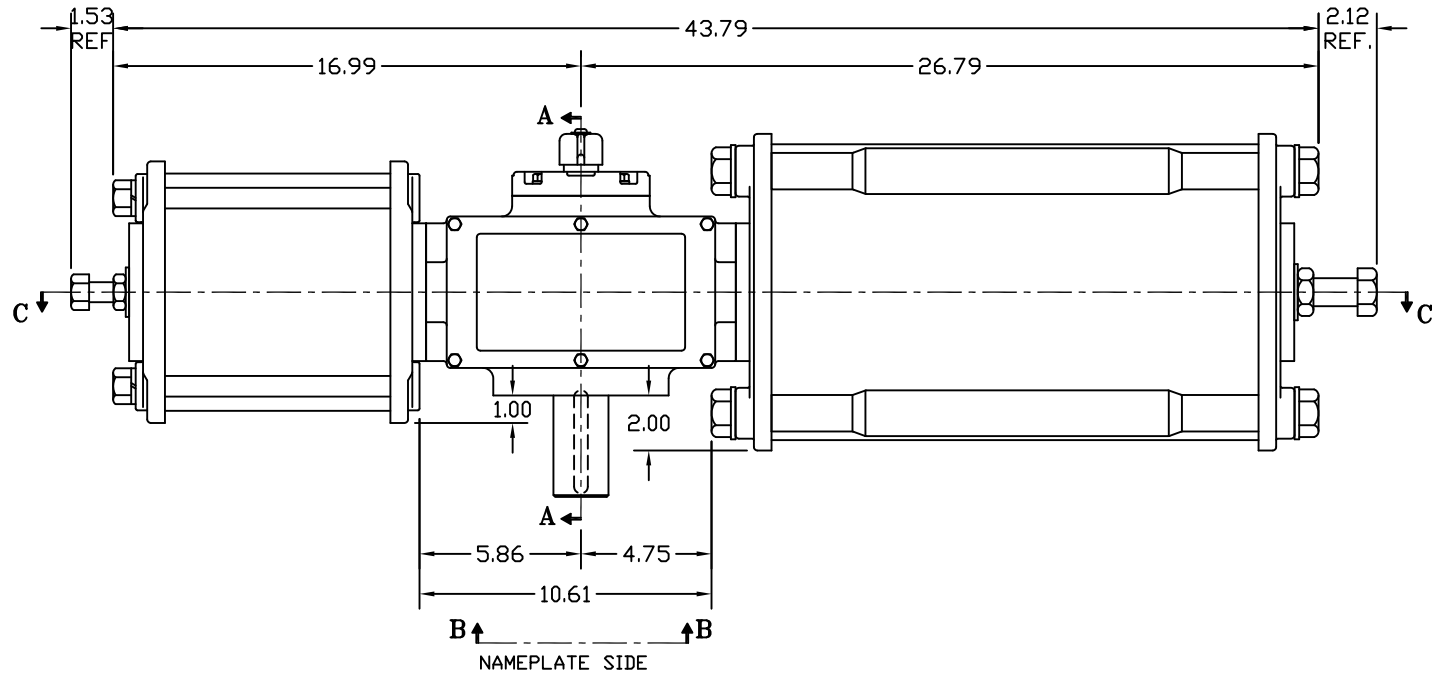
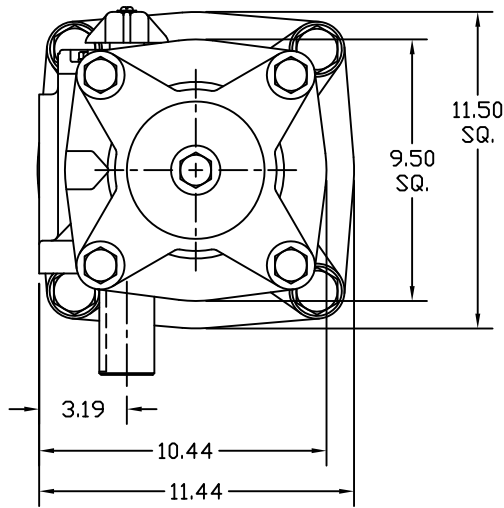


SECTION A-A

YOKE SHOWN AT MID-STROKE
POINTER OMITTED FOR CLARITY

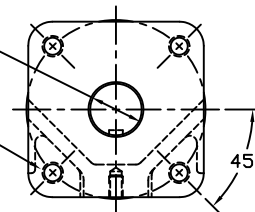


SECTION C-C



2.000/1.994 DIAMETER SHAFT
1/2 SQ. x 3.19 LONG KEYWAY
W/ .031 RADIUS INSIDE KEYWAY CORNERS
(TO BE USED W/ 1/2" x 3 3/16" KEY)

3/4-10 UNC TAP x 1.18 DEEP
(4) PLACES AS SHOWN ON
6.50 DIAMETER BOLT CIRCLE



VIEW B-B

ISO (F16) MOUNTING PATTERN

REV	DESCRIPTION	BY	CHK	APR	DATE
B	UPDATED SECTION A-A & VIEW B-B	CAW			02/20/06
	CHANGE	BY			

MORIN Birmingham, AL					
TITLE: MODEL C-345U-S000 ACTUATOR					
DRAWN BY:	DATE:	CHECKER:	DATE:	APPROVAL:	DATE:
CAW	08/11/06				
SCALE:	REVISION:	DRAWING NO.:			
1 : 1.75	B				
SHEET	DWG. SIZE:				
1 of 1	E	S25B166B			