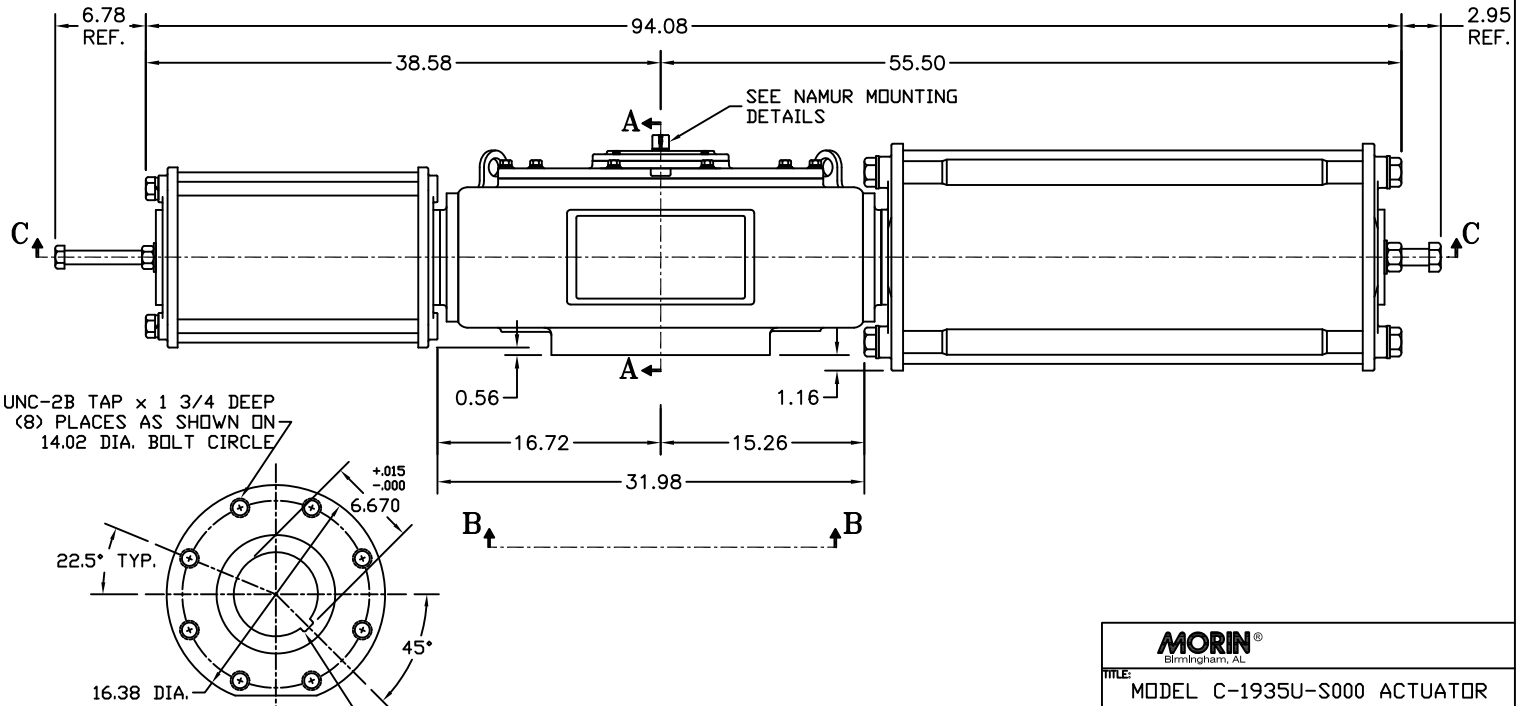
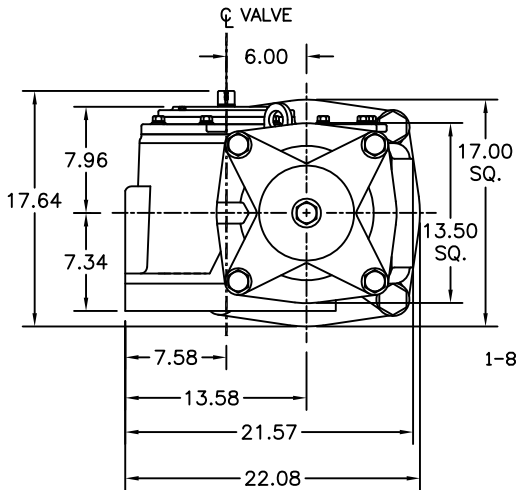
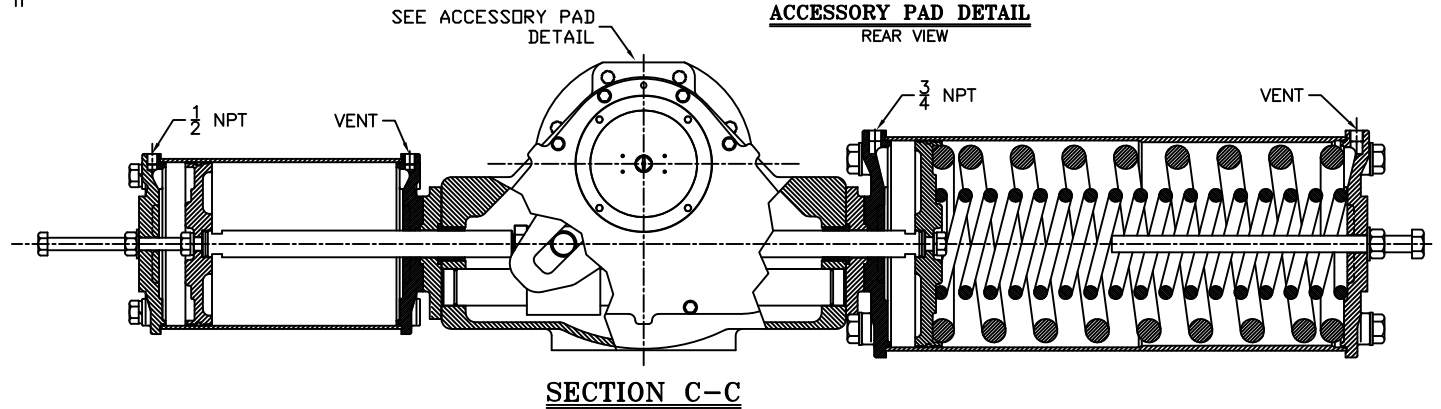
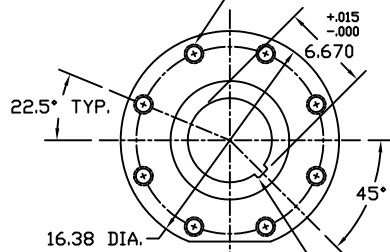


**SECTION A-A**  
YOKE SHOWN AT MID-STROKE  
ACCESSORIES OMITTED FOR CLARITY



1-8 UNC-2B TAP x 1 3/4 DEEP  
(8) PLACES AS SHOWN ON  
14.02 DIA. BOLT CIRCLE



**VIEW B-B**  
ISO F35 MOUNTING PATTERN  
SHOWN IN CLOSED POSITION

<b>MORIN</b> Birmingham, AL			
TITLE: MODEL C-1935U-S000 ACTUATOR			
DRAWN BY:	DATE:	CHECKER:	DATE:
CAW	06/13/08		
SCALE:	REVISION:	DRAWING NO.:	
FIT	D	S60B065D	
SHEET	DWG. SIZE:		
1 of 1	E		

D	UPDATED ADJUSTMENT SCREW DIAMETERS & LENGTHS	CAW		02/24/11
C	CORRECTED ACCESS. PAD DETAIL: 1/4" VENT MIS 3/4" VENT	CAW		08/23/10
B	UPDATED VIEW B-B	CAW		01/26/08
REV	CHANGE	BY	CHK	APR