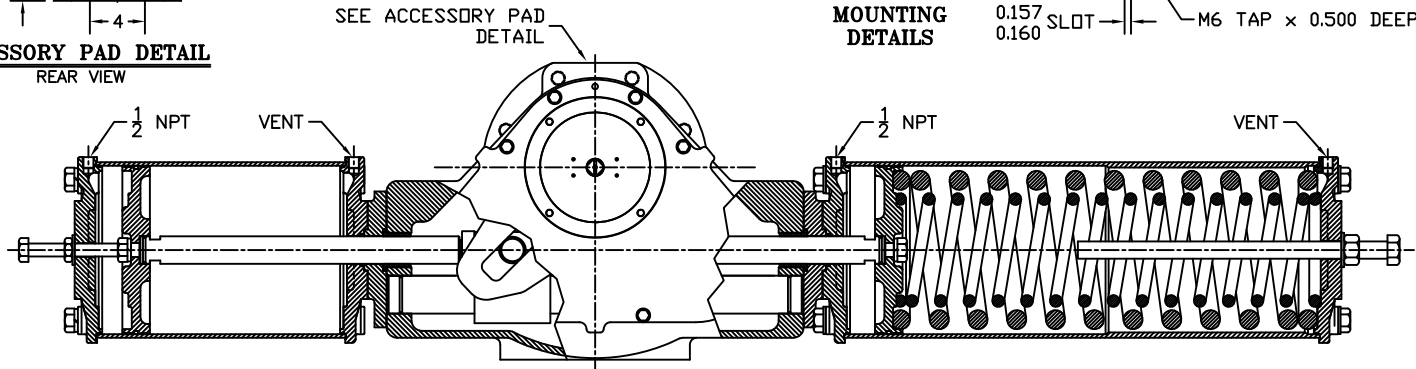
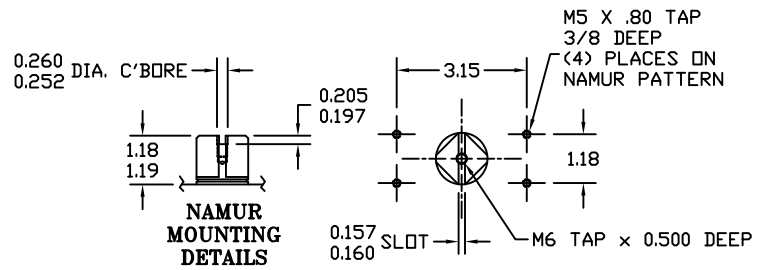
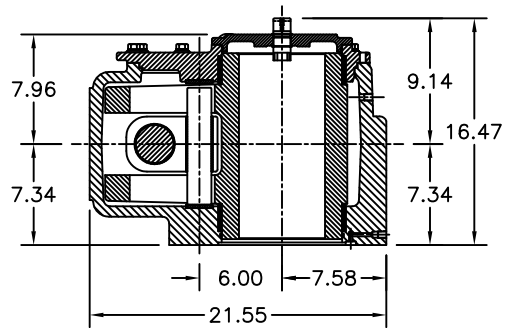


ACCESSORY PAD DETAIL
REAR VIEW

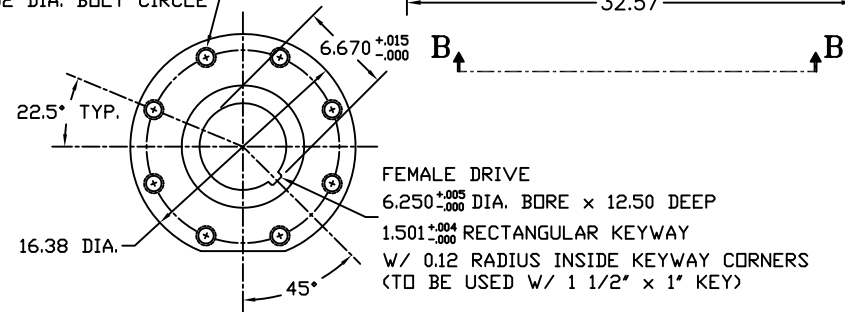
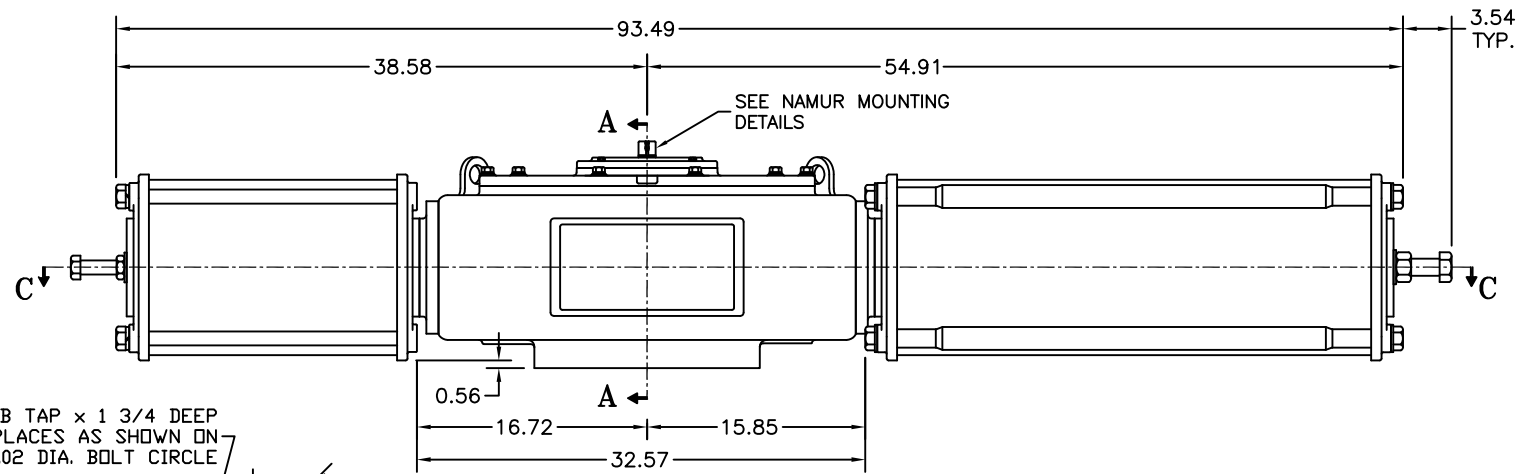
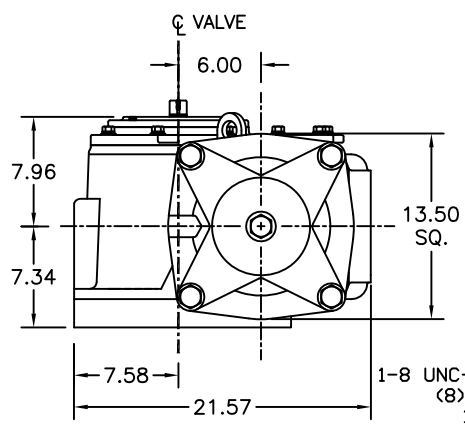


SECTION C-C



SECTION A-A

YOKE SHOWN AT MID-STROKE
ACCESSORIES OMITTED FOR CLARITY



VIEW B-B

ISO F35 MOUNTING PATTERN
SHOWN IN CLOSED POSITION

MORIN Birmingham, AL			
TITLE: MODEL C-1485U-S000 ACTUATOR			
DRAWN BY: CAW	DATE: 06/23/08	CHECKER:	DATE:
SCALE: 1 : 3.5	REVISION: D	DRAWING NO.:	
SHEET 1 of 1	DWG. SIZE: E	S60B071D	

REV	CHANGE	BY	CHK	APR	DATE
D	UPDATED ADJUSTMENT SCREW SIZE AND LENGTH	CAW			03/03/11
C	CORRECTED ACCESS. PAD DETAIL: 1/4" VENT MIS 3/4" VENT	CAW			06/23/08
B	UPDATED VIEW B-B	CAW			06/26/08