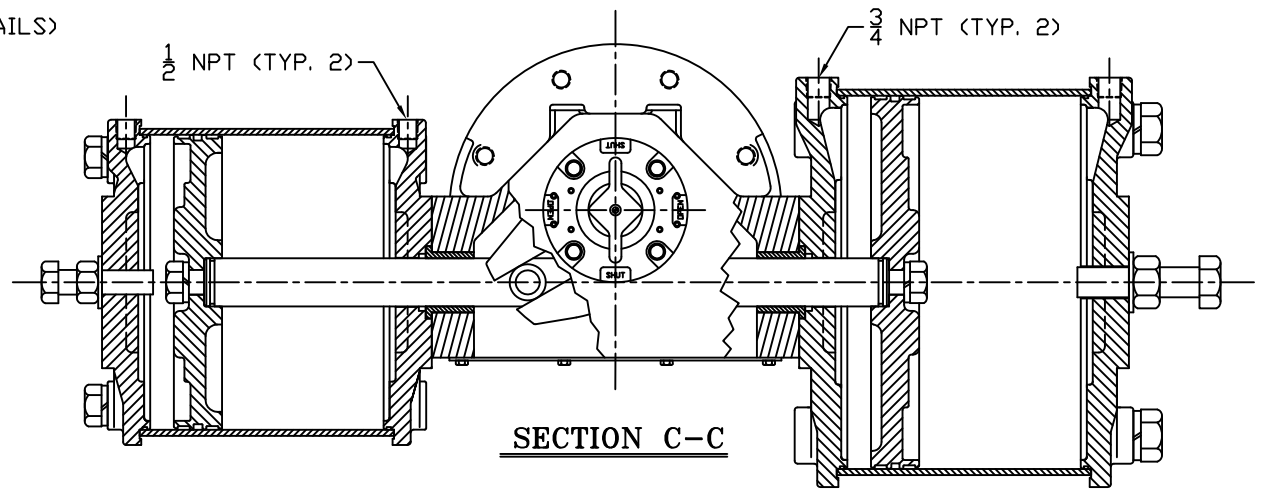
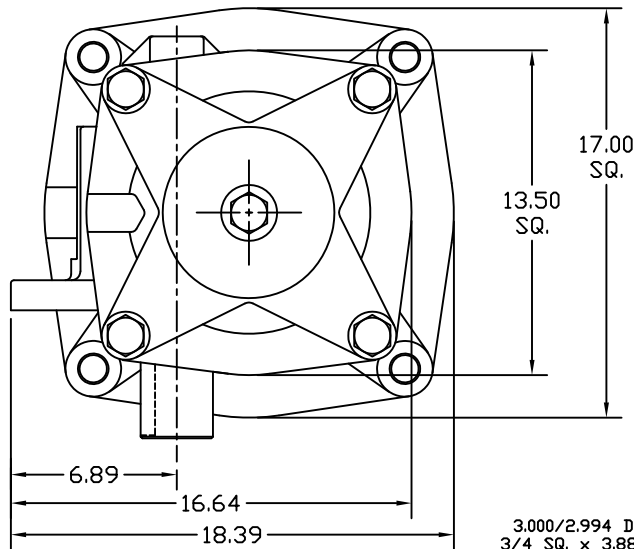


SECTION A-A

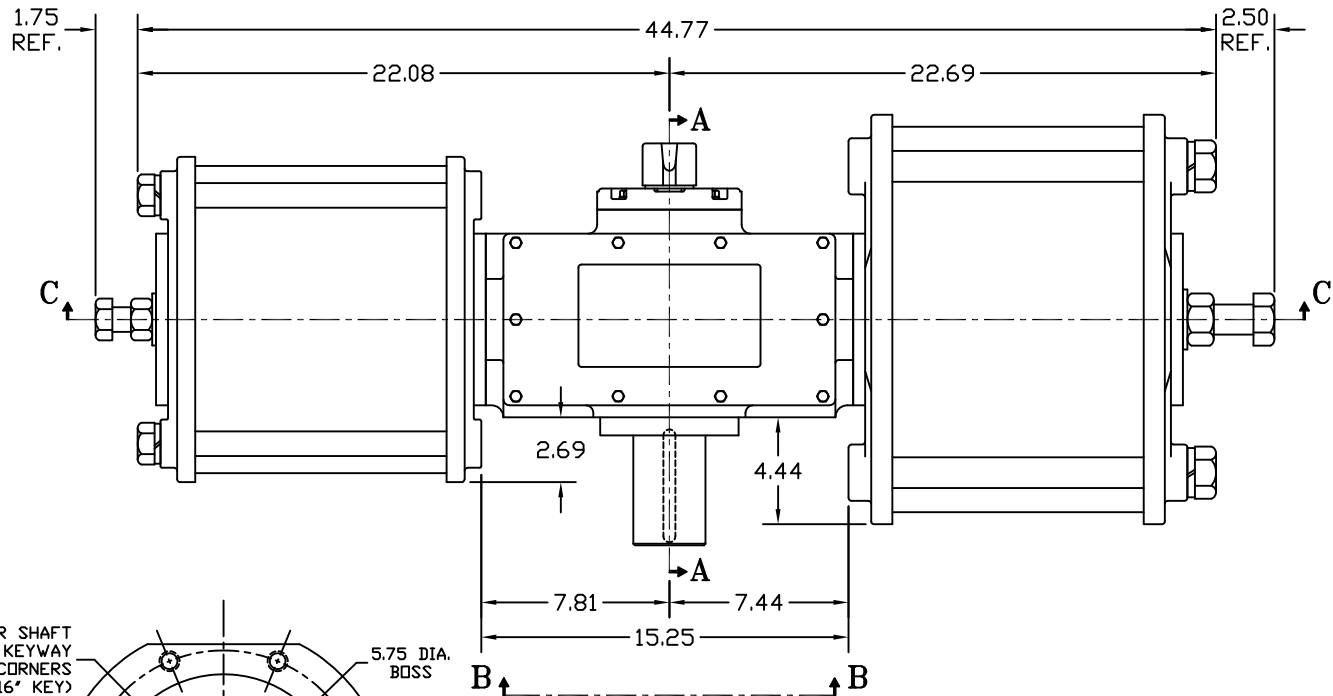
YOKE SHOWN AT MID-STROKE
POINTER OMITTED FOR CLARITY



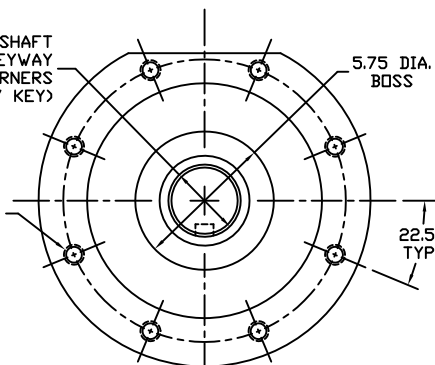
SECTION C-C



3.000/2.994 DIAMETER SHAFT
3/4 SQ. x 3.88 LONG KEYWAY
W/ .031 RADIUS INSIDE KEYWAY CORNERS
(TO BE USED W/ 3/4" x 3 13/16" KEY)



3/4-10 UNC TAP x 1.18 DEEP
(8) PLACES AS SHOWN ON
11.73 DIAMETER BOLT CIRCLE



View b-b

ISO F30 MOUNTING PATTERN

D	UPDATED VIEW B-B	CAW		04/24/13
C	UPDATED SECTION A-A & VIEW B-B	CAW		02/27/07
B	UPDATED VIEW A-A & VIEW B-B	CAW		07/11/06
REV	CHANGE	BY	CHK	APR DATE

MORIN Birmingham, AL				
TITLE: MODEL B-945UC-D000 ACTUATOR				
DRAWN BY:	DATE:	CHECKER:	DATE:	APPROVAL: DATE:
BDC	1/22/03			
SCALE:	REVISION:	DRAWING NO.:		
HALF	D	S30B518D		
SHEET	DWG. SIZE:			
1 of 1	E			