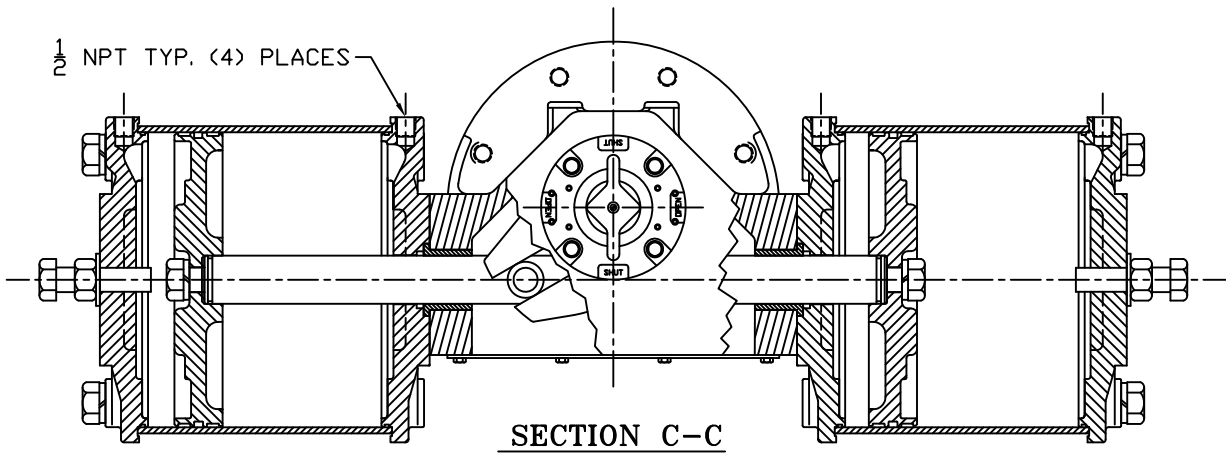
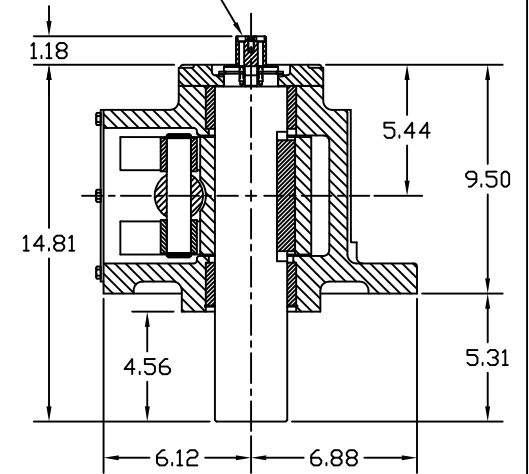


1/2 NPT TYP. (4) PLACES



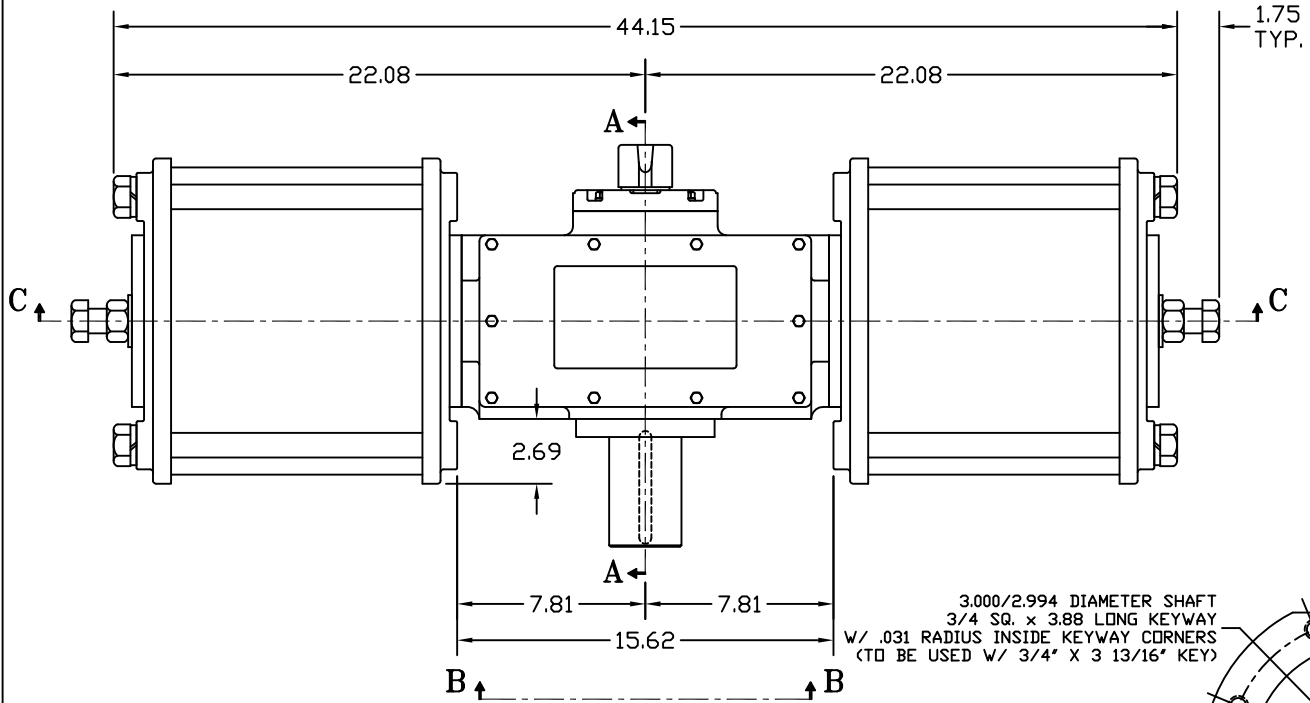
SECTION C-C

NAMUR POINTER ADAPTER
(SEE DWG. S01-02-01 FOR DETAILS)

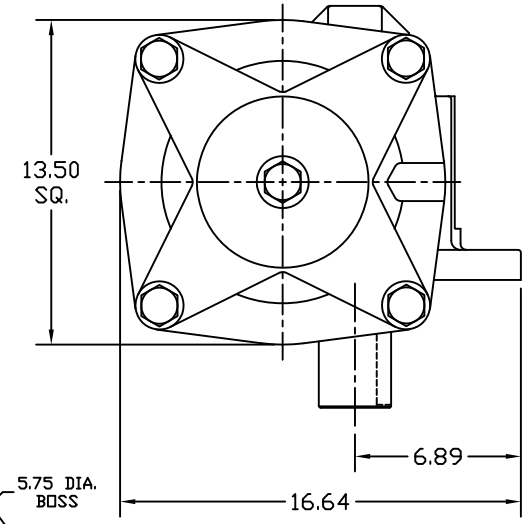


SECTION A-A

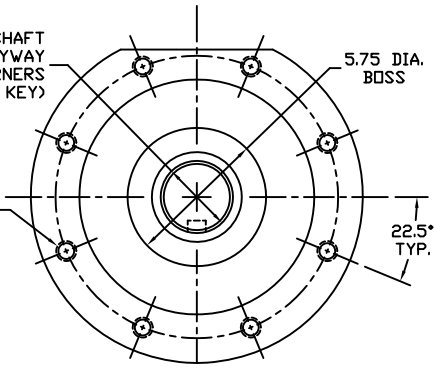
YOKE SHOWN AT MID-STROKE
POINTER OMITTED FOR CLARITY



3.000/2.994 DIAMETER SHAFT
3/4 SQ. x 3.88 LONG KEYWAY
W/ .031 RADIUS INSIDE KEYWAY CORNERS
(TO BE USED W/ 3/4" X 3 13/16" KEY)



3/4-10 UNC TAP x 1.18 DEEP
(8) PLACES AS SHOWN ON
11.73 DIAMETER BOLT CIRCLE



View b-b

ISO F30 MOUNTING PATTERN

REV	CHANGE	BY	CHK	APR	DATE
D	UPDATED VIEW B-B	CAW			04/22/13
C	UPDATED SECTION A-A & VIEW B-B	CAW			02/27/07
B	UPDATED VIEW A-A & VIEW B-B	CAW			07/11/06

MORIN Birmingham, AL					
TITLE: MODEL B-740UC-D000 ACTUATOR					
DRAWN BY:	DATE:	CHECKER:	DATE:	APPROVAL:	DATE:
BDC	1/29/03				
SCALE:	REVISION:	DRAWING NO.:			
HALF	D	S30B517D			
SHEET	DWG. SIZE:				
1 of 1	E				