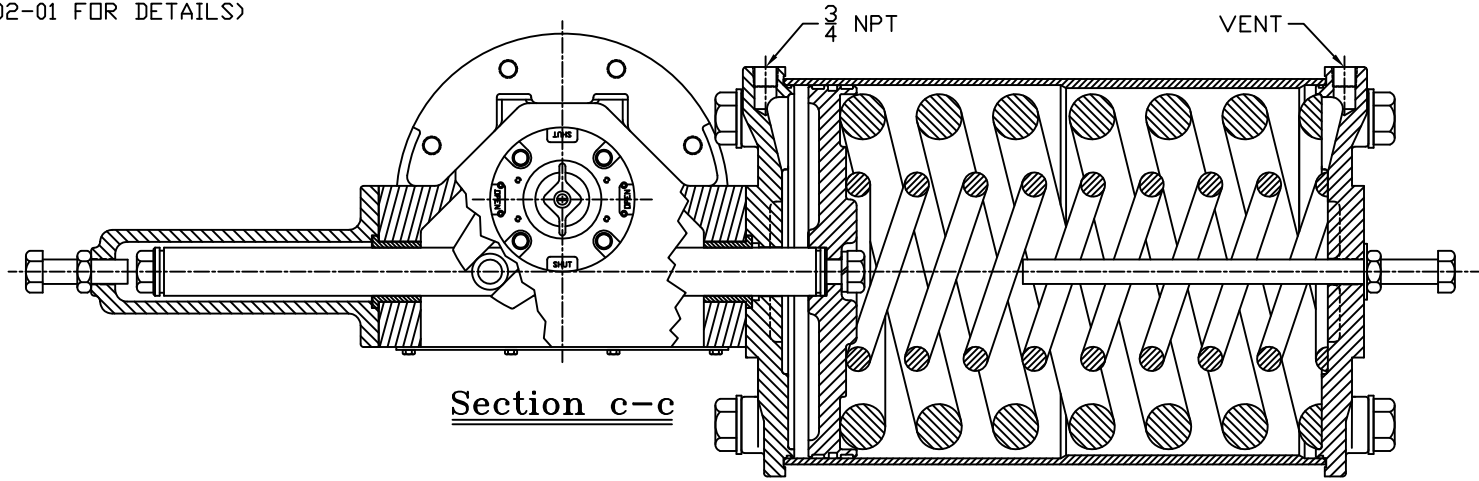
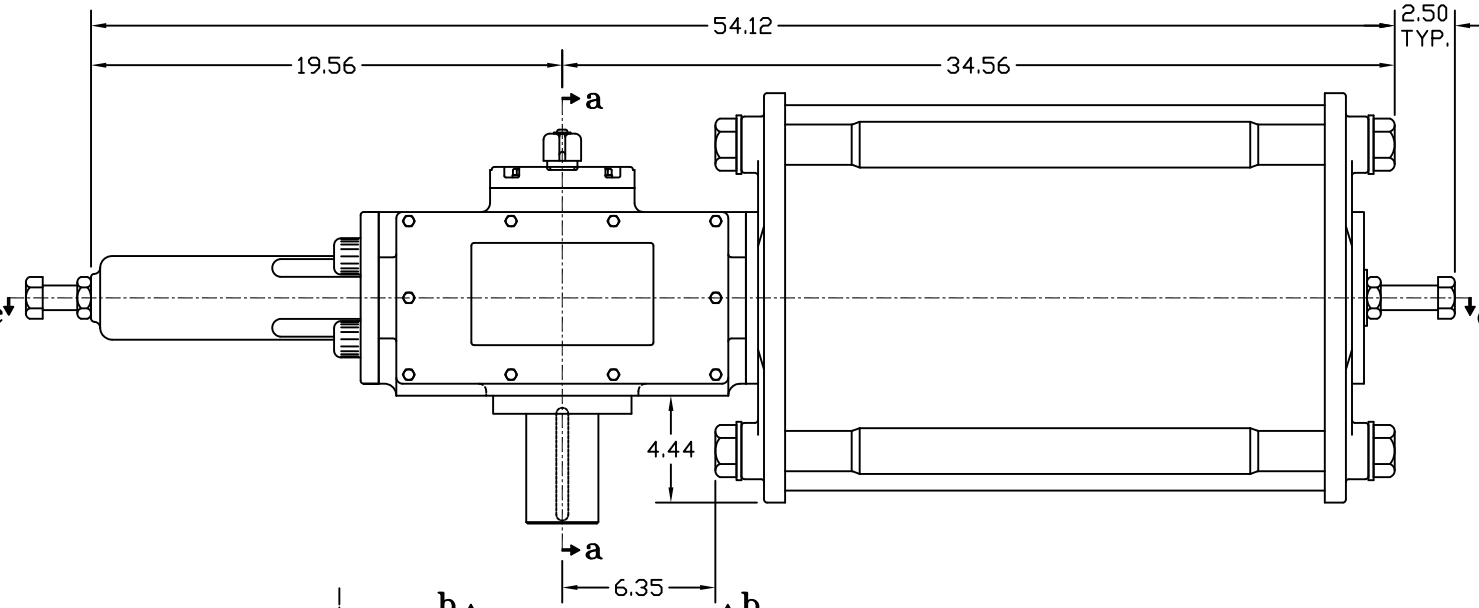
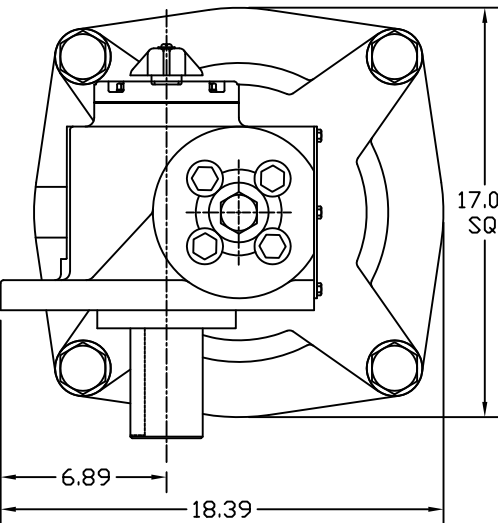


Section a-a

YOKE SHOWN AT MID-STROKE
POINTER OMITTED FOR CLARITY

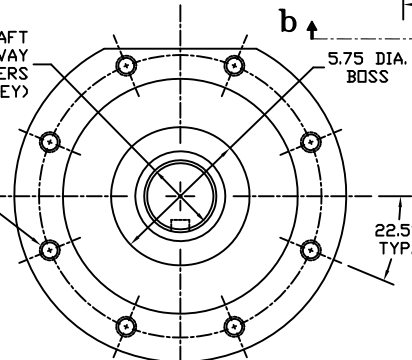


Section c-c



3.000/2.994 DIAMETER SHAFT
3/4 SQ. x 3.88 LONG KEYWAY
W/ .031 RADIUS INSIDE KEYWAY CORNERS
(TO BE USED W/ 3/4" X 3 13/16" KEY)

3/4-10 UNC TAP x 1.18 DEEP
(8) PLACES AS SHOWN ON
11.73 DIAMETER BOLT CIRCLE



View b-b

ISO F30 MOUNTING PATTERN

| | | | | |
|-----|--------------------------------|-----|-----|----------|
| E | UPDATED VIEW B-B | CAW | | 10/29/13 |
| D | UPDATED VIEW B-B & SECTION A-A | CAW | | 12/14/17 |
| C | UPDATED VIEW B-B | CAW | | 07/10/16 |
| B | UPDATED VIEW B-B & SECTION A-A | BDC | | 1/24/15 |
| REV | CHANGE | BY | CHK | APR DATE |

MORIN® Morin Actuator
110 Commerce Drive
Pelham, Alabama, U.S.A. 35124
(205) 662-9533
www.morinact.com

MODEL B-575U-S000 ACTUATOR

| | | | | | |
|-----------|------------|--------------|-------|-----------|-------|
| DRAWN BY: | DATE: | CHECKED: | DATE: | APPROVED: | DATE: |
| BDC | 1/15/01 | | | | |
| SCALE: | REVISION: | DRAWING NO.: | | | |
| HALF | E | S30B002E | | | |
| SHEET | DWG. SIZE: | | | | |
| 1 of 1 | E | | | | |