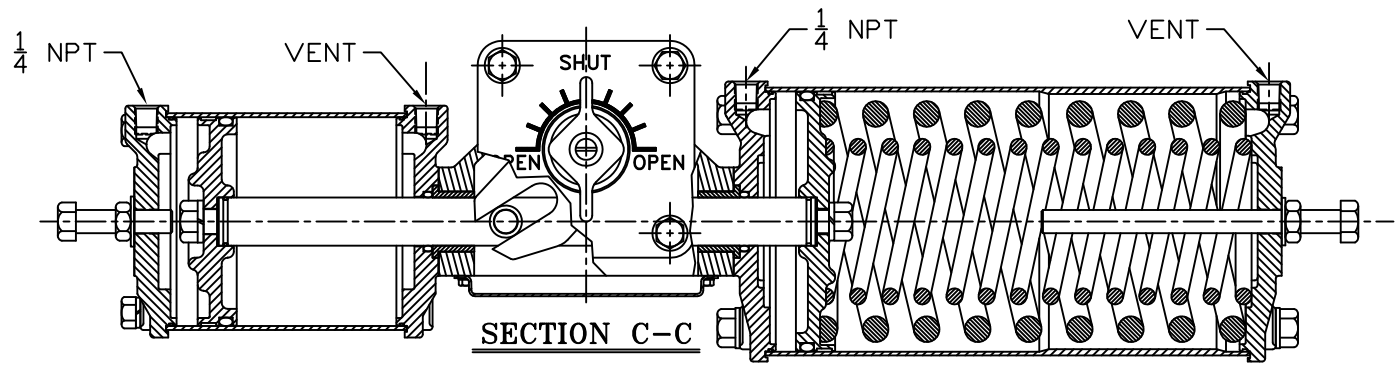
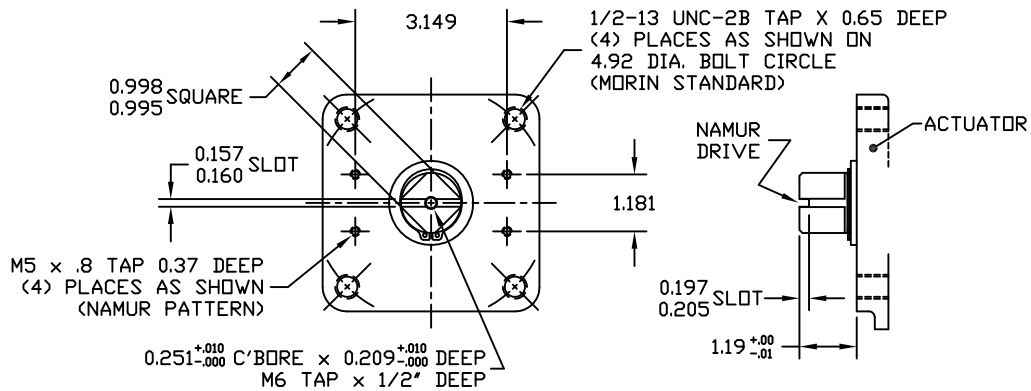
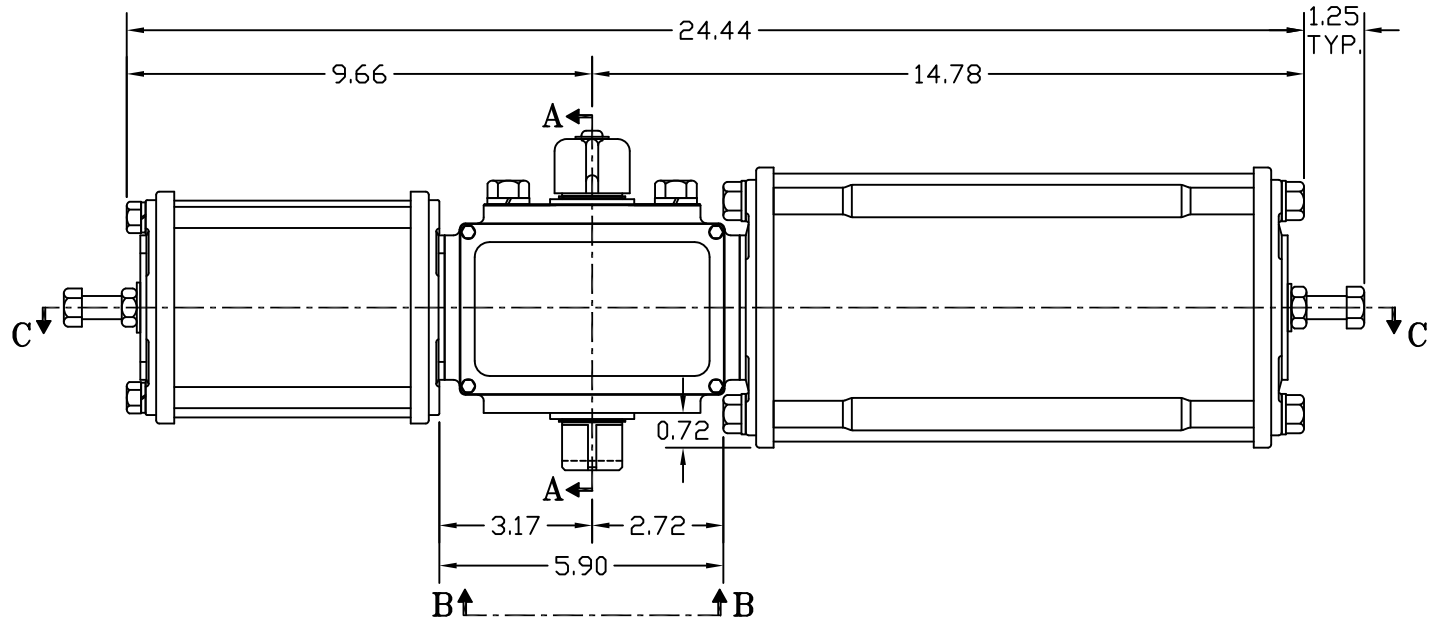
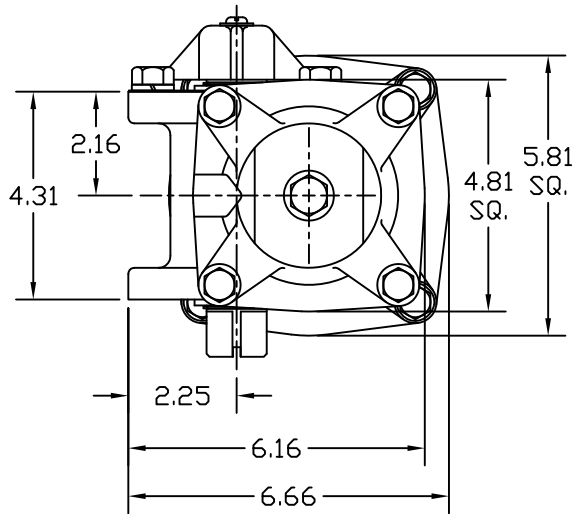


**SECTION A-A**

YOKE SHOWN AT MID-STROKE  
POINTER OMITTED FOR CLARITY



**SECTION C-C**



**VIEW B-B**

MODEL 15B MOUNTING PATTERN (F12) BOTH SIDES  
(SCALE: 1:1)

<b>MORIN</b> Birmingham, AL			
MODEL B-059UC-S000 ACTUATOR			
DRAWN BY:	DATE:	CHECKED:	DATE:
CAW	08/18/06		
SCALE:	REVISION:	DRAWING NO.:	
FULL	C	S15B141C	
SHEET	DWG. SIZE:		
1 of 1	E		

REV	DESCRIPTION	BY	CHK	APR	DATE
C	UPDATED SECTION A-A & HOUSING COVER TO CANTED	CAW			07/31/06
B	UPDATED VIEW B-B	CAW			05/07/06
	CHANGE	BY	CHK	APR	DATE