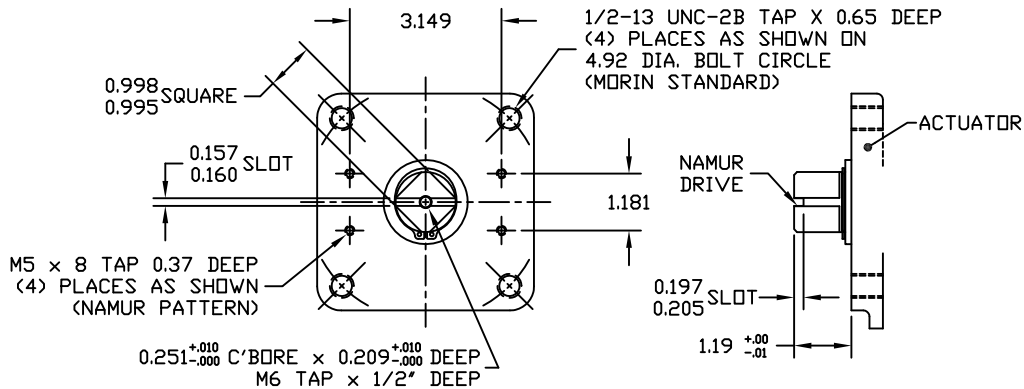
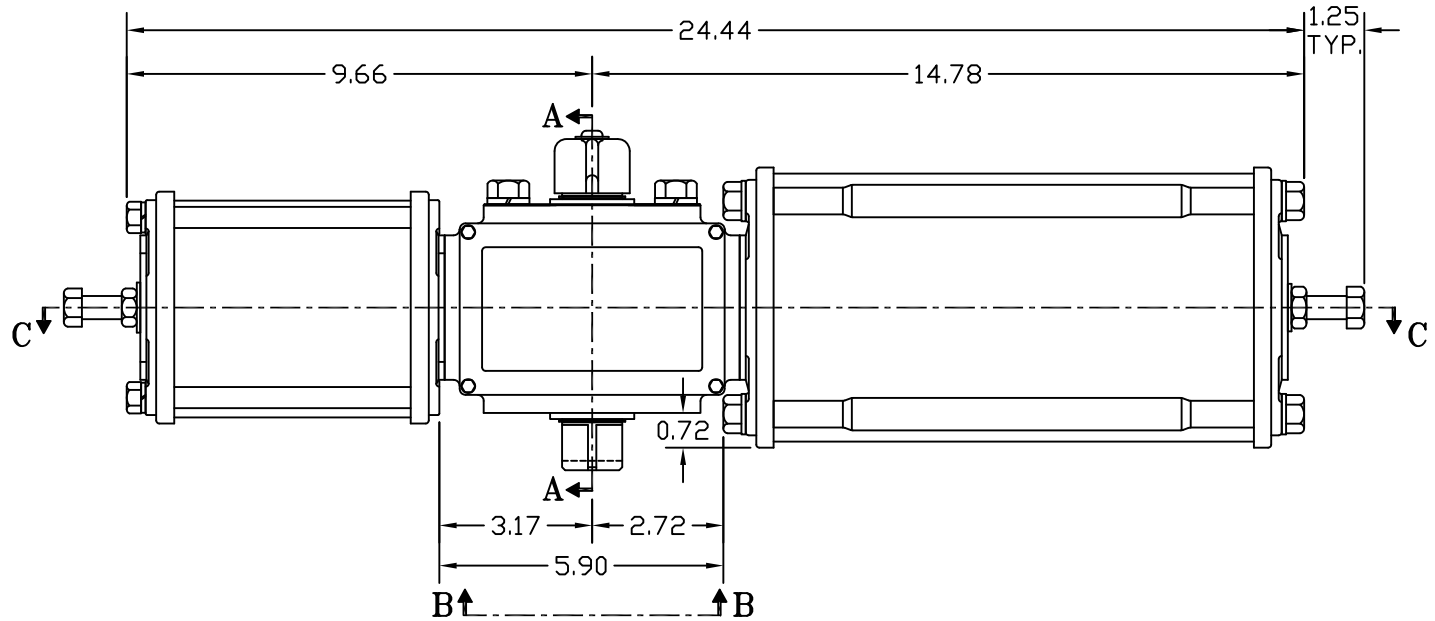
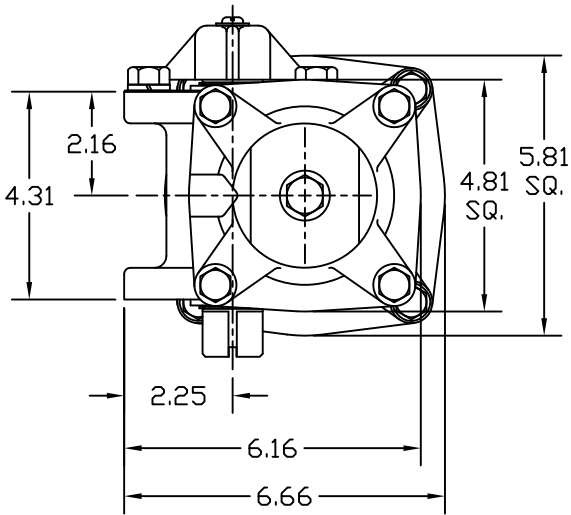
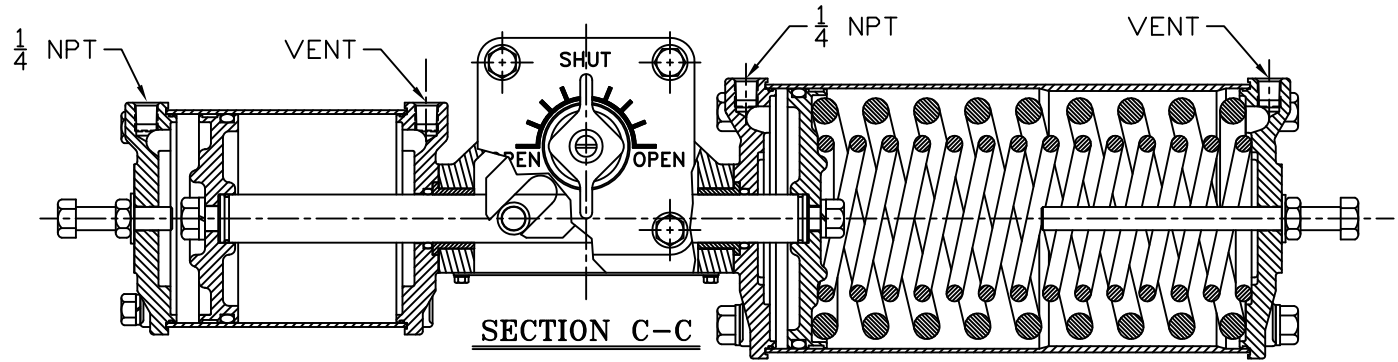


SECTION A-A

YOKE SHOWN AT MID-STROKE
POINTER OMITTED FOR CLARITY



VIEW B-B

MODEL 15B MOUNTING PATTERN (F12) BOTH SIDES
(SCALE: 1:1)

E	UPDATED VIEW B-B	CAW		07/10/06
D	UPDATED CYLINDER LENGTH	CAW		
C	REVISED SECTION A-A & VIEW B-B	BDC		
B	NEW EXTENDED FORK - YOKE DESIGN	BDC		
REV	CHANGE	BY	CHK	APR DATE

MORIN Birmingham, AL			
MODEL B-059U-S000 ACTUATOR			
DRAWN BY:	DATE:	CHECKED:	DATE:
BDC	12/3/01		
SCALE:	REVISION:	DRAWING NO.:	
FULL	E		
SHEET	DWG. SIZE:		
1 of 1	E	S15B009E	